

SIXTIES Pendant

Designer: Josep Patsí

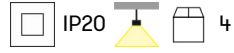
00-5940-CI-CI v0

Finish

Dark brown
Shiny copper
Transparent

Material

Steel
Methacrylate



TECHNICAL CHARACTERISTICS

Light source

Light source: LED CREE
Output (W): 35W
Total power consumption (W): 37,2
Color temperature: Warm White - 3000K
CRI: 80
Photobiological risk: RG1
Qty Leds: 3
Bin / Grup: 30H

GEAR

Brand: EAGLERISE
Gear included: Yes, electronic
Voltage / Frequency: 100-240 VAC
Power Factor: 0.93

Luminaire

Warranty: 5 Years

Logistics

Energy Efficiency: LED A++
EAN Code: 8435381493196
Net Weight (Kg): 3.125
Weight in Kg (packaged): 6.835
Packing: 290 x 85 x 340
Masterbox: 4

The photograph may not match the reference exactly. Please read the product description to identify the finish.

Luminaria

Código 00-5940-CI-CI
Nombre SIXTIES

Ensayo

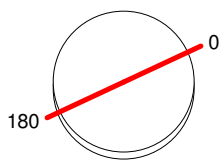
Código 00-5940-CI-CI
Nombre SIXTIES

Flujo Luminaria	957.20 lm	Potencia luminaria	13.40 W	Eficacia	71.43 lm/W	Eficiencia	100.00%
Flujo de Lámpara	957.20 lm	Valor Máximo	1464.40 cd/klm	Posición	C=0.00 G=0.00	CG	Rotosimétrico
Luminaria Redonda Área Luminosa Redonda		Diam. Diam.	200 mm 20 mm	Altura Altura	350 mm 0 mm		
Área Luminosa Horizontal Área Emisión sobre Pl. 0° Área Emisión sobre Pl. 90°		0.000314 m2 0.000000 m2 0.000000 m2		Área Emisión sobre Pl. 180° Área Emisión sobre Pl. 270° Área de deslumbramiento a 76°		0.000000 m2 0.000000 m2 0.000076 m2	
Sist. de Coorden. Fecha Distancia de Ensayo		CG 19-02-2019 0.00		Tipo de Simetría Máximo Ángulo Gamma Flujo de Ensayo		Rotosimétrico 90 957.20 lm	
Operador Temperatura Humedad Notas		qualitat 25.00 °C 60.00 %		Tensión de alimentación [V] Corriente de alimentación [A] Fotocélula			

Lámparas de la Luminaria

Familia	Código	Nombre	Flujo [lm]	Pot. [W]	Cant.
	00-5938-BW-BW	00-5938-BW-BW	957.20	13.40	1
C.I.E. F UTE	95 100 100 100 100 1.00 A	D DIN 5040 B NBN	A60 BZ 1		

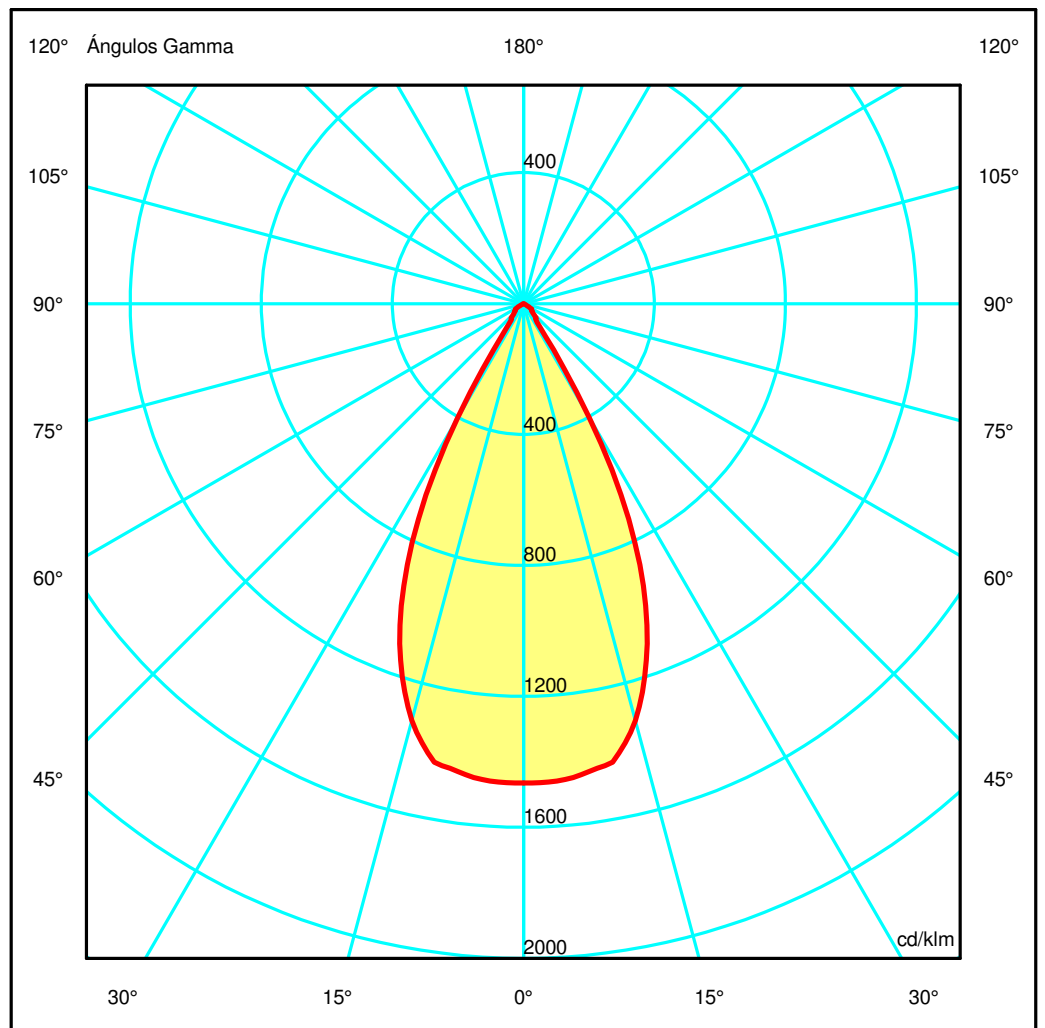
Diam=200mm



Semiplanos C

180.0 — 0.0

ULOR 0.00 %
DLOR 100.00 %
RN 0.00 %



Luminaria

Código 00-5940-CI-CI
Nombre SIXTIES

Ensayo

Código 00-5940-CI-CI
Nombre SIXTIES

Flujo Luminaria	957.20 lm	Potencia luminaria	13.40 W	Eficacia	71.43 lm/W	Eficiencia	100.00%
Flujo de Lámpara	957.20 lm	Valor Máximo	1464.40 cd/klm	Posición	C=0.00 G=0.00	CG	Rotosimétrico

Tabla de Intensidad Luminosa cd/klm **Tabla 1/1**

	C 0.00	C 0.00	
G 0.0	1464.40	G 46.0	38.44
G 1.0	1464.24	G 47.0	36.33
G 2.0	1463.59	G 48.0	35.07
G 3.0	1462.97	G 49.0	33.87
G 4.0	1461.73	G 50.0	32.88
G 5.0	1459.39	G 51.0	32.17
G 6.0	1455.51	G 52.0	31.42
G 7.0	1449.93	G 53.0	31.23
G 8.0	1443.02	G 54.0	30.86
G 9.0	1437.03	G 55.0	30.28
G 10.0	1433.36	G 56.0	29.34
G 11.0	1426.47	G 57.0	27.42
G 12.0	1402.71	G 58.0	24.00
G 13.0	1377.46	G 59.0	19.56
G 14.0	1349.77	G 60.0	13.93
G 15.0	1317.94	G 61.0	5.70
G 16.0	1280.69	G 62.0	1.48
G 17.0	1241.05	G 63.0	0.28
G 18.0	1198.11	G 64.0	0.06
G 19.0	1152.60	G 65.0	0.05
G 20.0	1104.99	G 66.0	0.05
G 21.0	1051.95	G 67.0	0.05
G 22.0	994.89	G 68.0	0.05
G 23.0	935.92	G 69.0	0.05
G 24.0	872.54	G 70.0	0.05
G 25.0	803.92	G 71.0	0.05
G 26.0	731.56	G 72.0	0.05
G 27.0	655.66	G 73.0	0.04
G 28.0	574.85	G 74.0	0.04
G 29.0	489.07	G 75.0	0.04
G 30.0	402.03	G 76.0	0.04
G 31.0	314.24	G 77.0	0.04
G 32.0	235.19	G 78.0	0.04
G 33.0	168.74	G 79.0	0.03
G 34.0	118.55	G 80.0	0.03
G 35.0	87.16	G 81.0	0.03
G 36.0	70.72	G 82.0	0.03
G 37.0	63.40	G 83.0	0.02
G 38.0	60.33	G 84.0	0.02
G 39.0	58.39	G 85.0	0.02
G 40.0	58.58	G 86.0	0.01
G 41.0	58.14	G 87.0	0.01
G 42.0	52.73	G 88.0	0.01
G 43.0	47.36	G 89.0	0.01
G 44.0	43.77	G 90.0	0.01
G 45.0	40.70		

LEDS C4[®]

Luminaria

Código 00-5940-CI-CI
Nombre SIXTIES

Ensayo

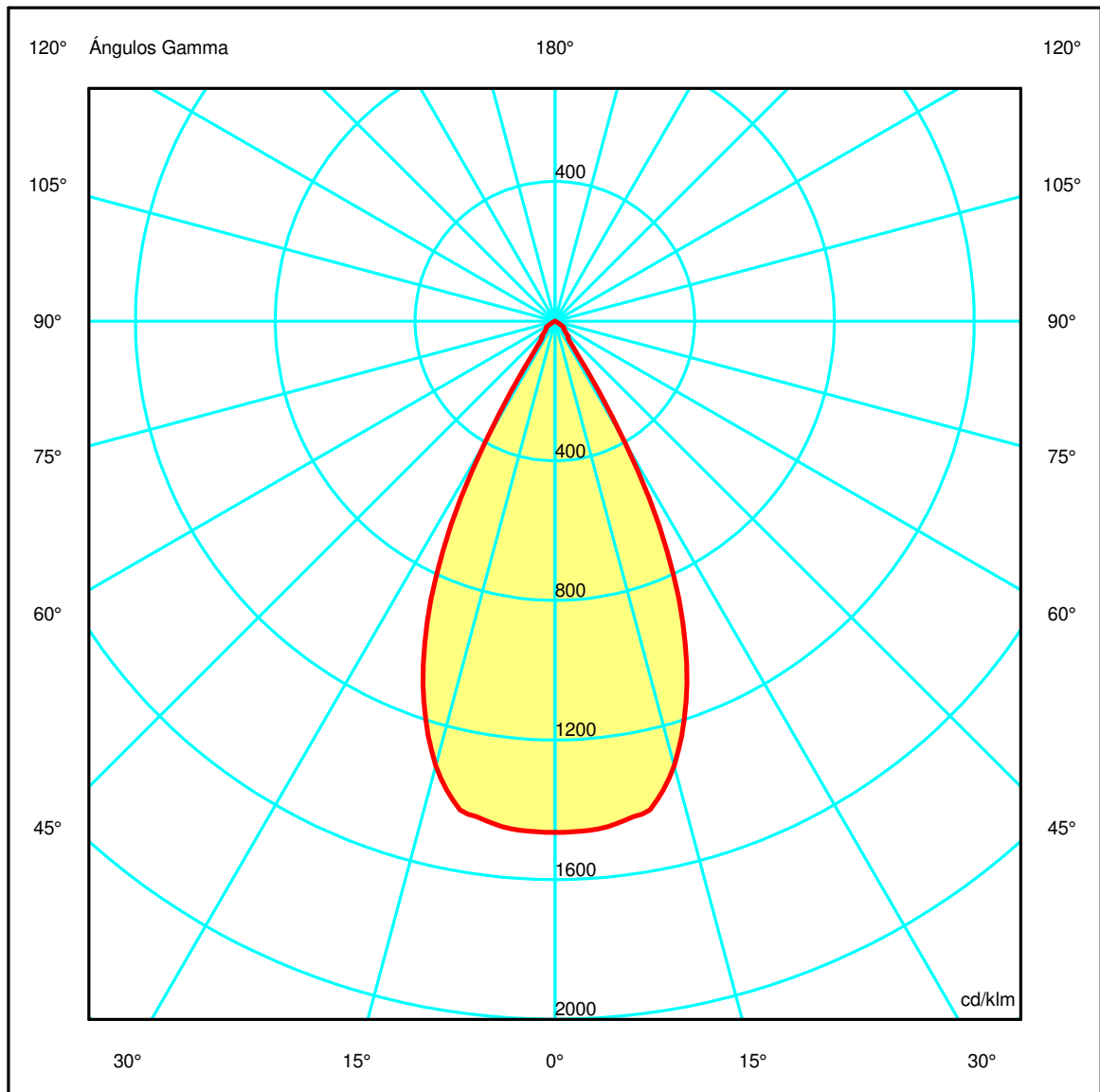
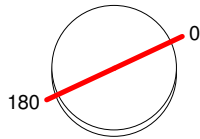
Código 00-5940-CI-CI
Nombre SIXTIES

Flujo Luminaria	957.20 lm	Potencia luminaria	13.40 W	Eficacia	71.43 lm/W	Eficiencia	100.00%
Flujo de Lámpara	957.20 lm	Valor Máximo	1464.40 cd/klm	Posición	C=0.00 G=0.00	CG	Rotosimétrico

Diam=200mm

Semiplanos C

180.0  0.0



LEDS C4[®]

Luminaria

Código 00-5940-CI-CI
Nombre SIXTIES

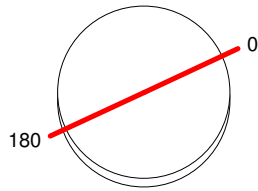
Ensayo

Código 00-5940-CI-CI
Nombre SIXTIES

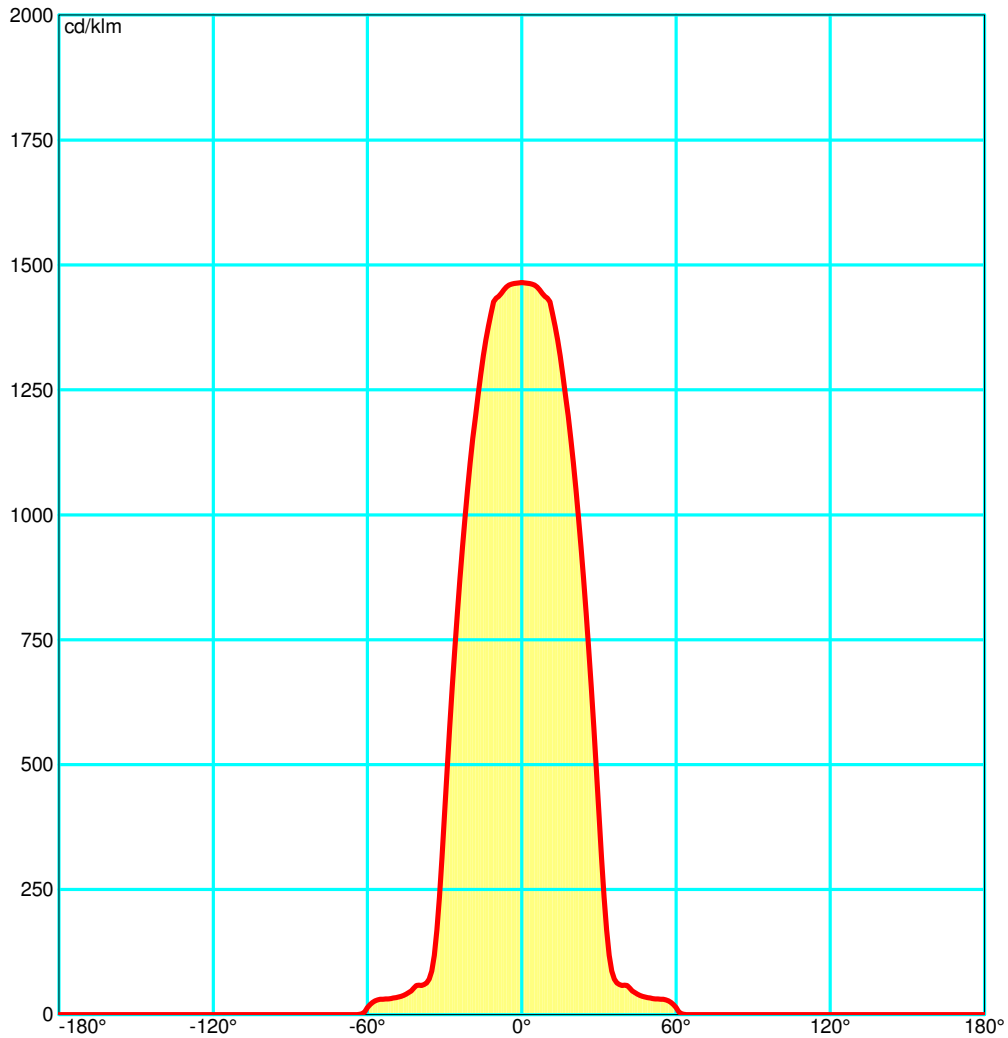
Flujo Luminaria	957.20 lm	Potencia luminaria	13.40 W	Eficacia	71.43 lm/W	Eficiencia	100.00%
Flujo de Lámpara	957.20 lm	Valor Máximo	1464.40 cd/klm	Posición	C=0.00 G=0.00	CG	Rotosimétrico

Diam=200mm

Semiplanos C



180.0 ————— 0.0



Luminaria

Código 00-5940-CI-CI

Nombre SIXTIES

Ensayo

Código 00-5940-CI-CI

Nombre SIXTIES

Flujo Luminaria	957.20 lm	Potencia luminaria	13.40 W	Eficacia	71.43 lm/W	Eficiencia	100.00%
Flujo de Lámpara	957.20 lm	Valor Máximo	1464.40 cd/klm	Posición	C=0.00 G=0.00	CG	Rotosimétrico

UGR
S = 0.250

Reflectancias										
Ceiling/Cavity	0.7	0.7	0.5	0.5	0.3	0.7	0.7	0.5	0.5	0.3
Walls	0.5	0.3	0.5	0.3	0.3	0.5	0.3	0.5	0.3	0.3
WorkingPlane	0.2	0.2	0.2	0.2	0.2	0.2	0.2	0.2	0.2	0.2
RoomDimensions	Viewed Crosswise					Viewed Endwise				
x=2H y=2H	24.1	24.8	24.3	25.0	25.2	24.1	24.8	24.3	25.0	25.2
x=2H y=3H	23.9	24.6	24.2	24.8	25.0	23.9	24.6	24.2	24.8	25.0
x=2H y=4H	23.9	24.5	24.2	24.7	25.0	23.9	24.5	24.2	24.7	25.0
x=2H y=6H	23.8	24.3	24.1	24.6	24.9	23.8	24.3	24.1	24.6	24.9
x=2H y=8H	23.8	24.3	24.1	24.6	24.9	23.8	24.3	24.1	24.6	24.9
x=2H y=12H	23.7	24.2	24.1	24.5	24.8	23.7	24.2	24.1	24.5	24.8
x=4H y=2H	24.1	24.7	24.4	24.9	25.2	24.1	24.7	24.4	24.9	25.2
x=4H y=3H	23.9	24.4	24.3	24.7	25.0	23.9	24.4	24.3	24.7	25.0
x=4H y=4H	23.8	24.3	24.2	24.6	24.9	23.8	24.3	24.2	24.6	24.9
x=4H y=6H	23.8	24.1	24.2	24.5	24.9	23.8	24.1	24.2	24.5	24.9
x=4H y=8H	23.7	24.0	24.2	24.4	24.8	23.7	24.0	24.2	24.4	24.8
x=4H y=12H	23.7	24.0	24.1	24.4	24.8	23.7	24.0	24.1	24.4	24.8
x=8H y=4H	23.7	24.0	24.2	24.4	24.8	23.7	24.0	24.2	24.4	24.8
x=8H y=6H	23.7	23.9	24.1	24.3	24.7	23.7	23.9	24.1	24.3	24.7
x=8H y=8H	23.6	23.8	24.1	24.2	24.7	23.6	23.8	24.1	24.2	24.7
x=8H y=12H	23.6	23.7	24.0	24.2	24.7	23.6	23.7	24.0	24.2	24.7
x=12H y=4H	23.7	24.0	24.1	24.4	24.8	23.7	24.0	24.1	24.4	24.8
x=12H y=6H	23.6	23.8	24.1	24.2	24.7	23.6	23.8	24.1	24.2	24.7
x=12H y=8H	23.6	23.7	24.0	24.2	24.7	23.6	23.7	24.0	24.2	24.7

Luminaria

Código 00-5940-CI-CI
Nombre SIXTIES

Ensayo

Código 00-5940-CI-CI
Nombre SIXTIES

Flujo Luminaria	957.20 lm	Potencia luminaria	13.40 W	Eficacia	71.43 lm/W	Eficiencia	100.00%
Flujo de Lámpara	957.20 lm	Valor Máximo	1464.40 cd/klm	Posición	C=0.00 G=0.00	CG	Rotosimétrico

Flujo Total=957.20 Flujo Luminaria=957.20

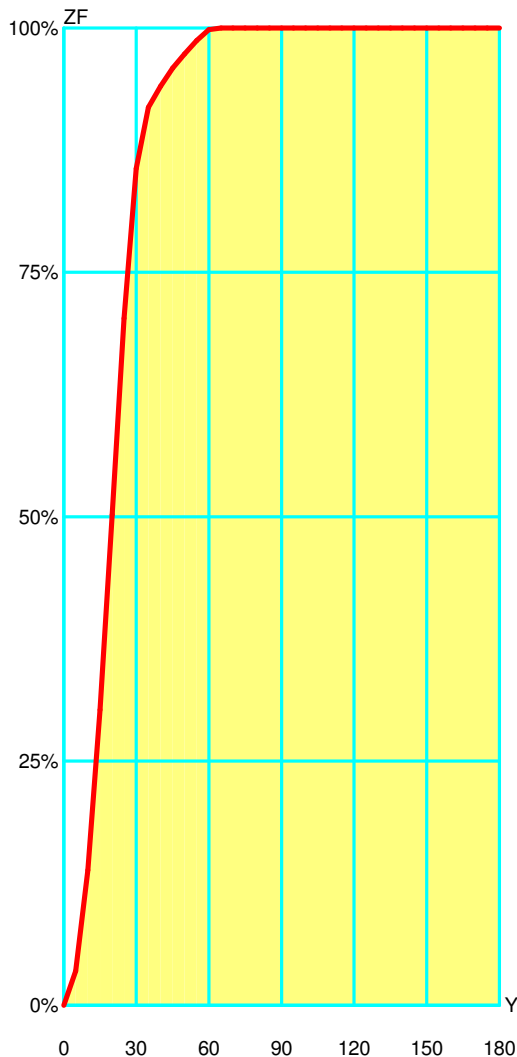
RI	0.60	0.80	1.00	1.25	1.50	2.00	2.50	3.00	4.00	5.00	10.00	20.00
DRR	0.69	0.75	0.80	0.84	0.86	0.91	0.94	0.96	0.98	0.99	1.01	1.02
RC	-	-	-	-	-	-	-	-	-	-	-	-

Flujo Zonal por 1000 Lúmenes

Y°	10	20	30	40	50	60	70	80	90	100	110	120	130	140	150	160	170	180
ZF(Y)	138	502	856	940	974	999	1000	1000	1000	1000	1000	1000	1000	1000	1000	1000	1000	1000

Códigos de Flujo C.I.E.
95 100 100 100 100

C.I.E.	-/-/-/-/-/-/-/-/-/-	LOR	100.00000 %
D DIN 5040	A60	ULOR	0.00000 %
F UTE	1.00 A	DLOR	100.00000 %
B NBN	BZ 1	UFF	0.00000 %
RN	0.00000 %	DFF	100.00000 %
BLF	1.0	FFR	0.00000 %



Gamma °	Flujo Zonal			
	Flujo	Suma lm	Flujo [%]	Suma [%]
0°	0.00	0.00	0.00%	0.00 %
5°	34.96	34.96	3.50 %	3.50 %
10°	103.37	138.33	10.34 %	13.83 %
15°	164.03	302.36	16.40 %	30.24 %
20°	199.78	502.14	19.98 %	50.21 %
25°	200.72	702.87	20.07 %	70.29 %
30°	153.23	856.10	15.32 %	85.61 %
35°	62.66	918.75	6.27 %	91.88 %
40°	21.66	940.42	2.17 %	94.04 %
45°	18.58	959.00	1.86 %	95.90 %
50°	14.57	973.56	1.46 %	97.36 %
55°	13.67	987.24	1.37 %	98.72 %
60°	11.29	998.52	1.13 %	99.85 %
65°	1.39	999.91	0.14 %	99.99 %
70°	0.03	999.94	0.00 %	99.99 %
75°	0.02	999.96	0.00 %	100.00 %
80°	0.02	999.98	0.00 %	100.00 %
85°	0.01	999.99	0.00 %	100.00 %
90°	0.01	1000.00	0.00 %	100.00 %
95°	0.00	1000.00	0.00 %	100.00 %
100°	0.00	1000.00	0.00 %	100.00 %
105°	0.00	1000.00	0.00 %	100.00 %
110°	0.00	1000.00	0.00 %	100.00 %
115°	0.00	1000.00	0.00 %	100.00 %
120°	0.00	1000.00	0.00 %	100.00 %
125°	0.00	1000.00	0.00 %	100.00 %
130°	0.00	1000.00	0.00 %	100.00 %
135°	0.00	1000.00	0.00 %	100.00 %
140°	0.00	1000.00	0.00 %	100.00 %
145°	0.00	1000.00	0.00 %	100.00 %
150°	0.00	1000.00	0.00 %	100.00 %
155°	0.00	1000.00	0.00 %	100.00 %
160°	0.00	1000.00	0.00 %	100.00 %
165°	0.00	1000.00	0.00 %	100.00 %
170°	0.00	1000.00	0.00 %	100.00 %
175°	0.00	1000.00	0.00 %	100.00 %
180°	0.00	1000.00	0.00 %	100.00 %

Luminaria

 Código 00-5940-CI-CI
 Nombre SIXTIES

Ensayo

 Código 00-5940-CI-CI
 Nombre SIXTIES

Flujo Luminaria	957.20 lm	Potencia luminaria	13.40 W	Eficacia	71.43 lm/W	Eficiencia	100.00%
Flujo de Lámpara	957.20 lm	Valor Máximo	1464.40 cd/klm	Posición	C=0.00 G=0.00	CG	Rotosimétrico

Utilización CIE

Montaje	Directo	Normalización										Normalizados										Raz. de Susp. 1/3			CIE Estándar		
Techo																											
K	8873	8773	8871	8771	7773	7771	7753	7553	7751	7551	7731	7331	7711	7111	5551	5531	5331	5511	5111	3331	3311	1111	0000				
0.60	166	149	97	88	142	84	95	81	53	45	33	25	18	12	42	26	23	14	12	22	12	11	0				
0.80	198	182	105	97	173	92	124	109	63	55	41	33	25	18	51	34	31	21	18	29	18	16	0				
1.00	221	206	105	99	196	95	148	132	68	61	48	39	32	25	57	41	37	28	24	35	24	22	0				
1.25	244	229	106	101	218	97	173	157	73	67	54	46	40	32	63	47	44	35	30	42	31	28	0				
1.50	261	248	106	102	236	98	194	178	77	71	60	52	46	38	67	53	50	41	36	47	37	34	0				
2.00	284	273	103	99	260	96	224	210	80	76	67	60	56	48	72	61	58	51	47	55	47	43	0				
2.50	299	290	100	98	277	95	247	233	83	79	73	66	64	56	75	66	64	59	54	61	54	51	0				
3.00	311	302	98	96	289	93	263	251	84	81	76	71	70	63	77	71	68	65	60	66	60	57	0				
4.00	327	321	98	97	307	94	287	276	88	85	82	78	77	71	82	77	75	73	69	73	69	65	0				
5.00	338	333	98	97	319	95	302	293	91	88	86	83	83	77	85	82	80	78	75	77	74	71	0				
10.00	362	359	99	99	345	97	337	332	96	95	95	93	95	91	92	92	91	91	89	88	88	85	0				
20.00	376	374	100	100	360	99	357	354	100	99	100	99	101	99	96	97	97	98	97	94	95	93	0				

Pared

K	8873	8773	8871	8771	7773	7771	7753	7553	7751	7551	7731	7331	7711	7111	5551	5531	5331	5511	5111	3331	3311	1111	0000
0.60	294	285	208	203	280	200	221	214	162	158	136	132	117	115	157	133	132	115	114	131	115	114	92
0.80	327	317	219	215	309	211	252	244	176	173	151	148	133	130	170	148	146	131	129	145	129	128	102
1.00	341	331	216	212	321	208	268	259	178	174	155	151	138	134	170	151	149	135	133	147	133	131	102
1.25	356	346	214	211	335	206	286	275	180	176	160	155	144	140	172	155	153	140	138	150	137	135	102
1.50	367	357	211	208	343	203	298	288	181	177	162	158	148	143	172	156	154	143	141	151	140	137	102
2.00	366	358	191	188	341	183	304	294	167	164	153	148	141	136	157	146	144	135	133	140	131	127	88
2.50	360	352	170	168	333	163	302	292	151	148	140	136	131	125	141	132	130	124	121	125	119	114	72
3.00	349	342	149	148	322	143	295	286	133	131	125	121	117	112	123	116	115	110	107	109	104	98	55
4.00	343	337	131	129	315	124	294	286	118	116	112	108	106	102	107	103	101	98	95	94	91	84	39
5.00	336	331	115	114	307	109	290	282	104	102	99	96	95	91	93	90	88	86	84	81	78	71	24
10.00	283	280	45	44	253	39	245	240	38	37	37	35	36	33	26	26	25	25	24	16	16	6	0
20.00	179	177	0	0	148	0	145	142	0	0	0	0	0	0	0	0	0	0	0	0	0	0	0

P.Trab.

K	8873	8773	8871	8771	7773	7771	7753	7553	7751	7551	7731	7331	7711	7111	5551	5531	5331	5511	5111	3331	3311	1111	0000
0.60	882	872	823	818	866	814	794	787	764	761	731	728	706	705	758	728	727	705	704	726	704	703	695
0.80	951	940	876	870	930	866	859	850	819	815	786	781	761	758	811	781	779	758	757	778	756	755	746
1.00	1000	998	920	915	985	909	918	908	869	864	838	833	814	810	859	832	830	811	808	827	808	805	797
1.25	1000	1000	954	950	1000	943	969	956	907	902	879	873	857	852	896	871	869	852	849	865	848	844	836
1.50	1000	1000	978	973	1000	966	1000	993	935	930	909	903	889	882	922	900	898	882	879	893	877	872	864
2.00	1000	1000	1000	1000	1000	1000	1000	1000	978	974	959	952	942	935	964	947	945	933	929	938	926	919	912
2.50	1000	1000	1000	1000	1000	1000	1000	1000	1000	1000	990	984	977	969	990	977	975	966	962	966	957	949	942
3.00	1000	1000	1000	1000	1000	1000	1000	1000	1000	1000	1000	1000	1000	994	1000	998	996	990	986	986	979	970	963
4.00	1000	1000	1000	1000	1000	1000	1000	1000	1000	1000	1000	1000	1000	1000	1000	1000	1000	1000	1000	1000	999	988	981
5.00	1000	1000	1000	1000	1000	1000	1000	1000	1000	1000	1000	1000	1000	1000	1000	1000	1000	1000	1000	1000	1000	998	990
10.00	1000	1000	1000	1000	1000	1000	1000	1000	1000	1000	1000	1000	1000	1000	1000	1000	1000	1000	1000	1000	1000	1000	1000
20.00	1000	1000	1000	1000	1000	1000	1000	1000	1000	1000	1000	1000	1000	1000	1000	1000	1000	1000	1000	1000	1000	1000	1000

LM53 SHR C0-C180: 0.839 SHR C90-C270: 0.839 SHR Superficial: 0.773

LEDS C4⁺

Luminaria

Código 00-5940-CI-CI
Nombre SIXTIES

Ensayo

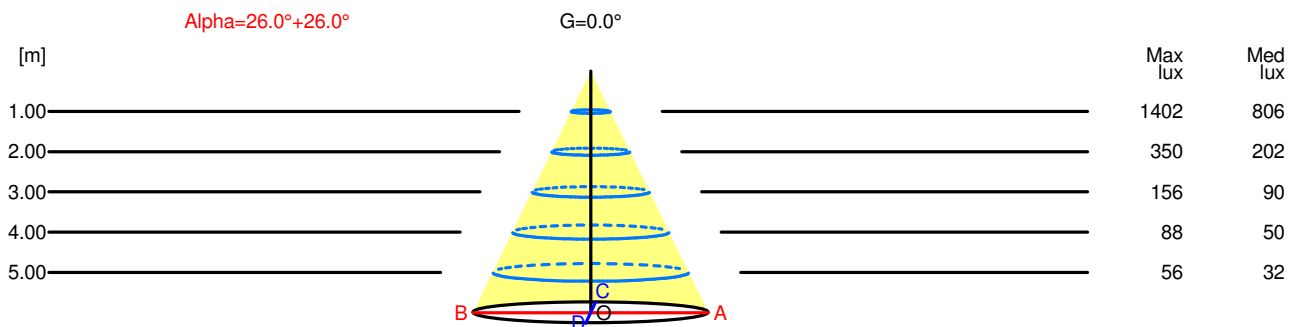
Código 00-5940-CI-CI
Nombre SIXTIES

Flujo Luminaria	957.20 lm	Potencia luminaria	13.40 W	Eficacia	71.43 lm/W	Eficiencia	100.00%
Flujo de Lámpara	957.20 lm	Valor Máximo	1464.40 cd/klm	Posición	C=0.00 G=0.00	CG	Rotosimétrico

Apertura a 50.00 % de Max Intensidad

H[m]	1.00	2.00	3.00	4.00	5.00	H[m]	1.00	2.00	3.00	4.00	5.00
OA	0.49	0.98	1.46	1.95	2.44	OC	0.49	0.98	1.46	1.95	2.44
OB	0.49	0.98	1.46	1.95	2.44	OD	0.49	0.98	1.46	1.95	2.44

	Intensidades Luminosas [cd/klm]									
	0	5	15	25	35	45	55	65	75	85
OA	1401.73	1396.93	1261.53	769.51	83.43	38.96	28.99	0.05	0.04	0.02
OB	1401.73	1396.93	1261.53	769.51	83.43	38.96	28.99	0.05	0.04	0.02
OC	1401.73	1396.93	1261.53	769.51	83.43	38.96	28.99	0.05	0.04	0.02
OD	1401.73	1396.93	1261.53	769.51	83.43	38.96	28.99	0.05	0.04	0.02



H[m]	D[m]	Max lux	Med lux	Alpha=26.0°+26.0°	G=0.0
1.00	0.98	1402	806		
2.00	1.95	350	202		
3.00	2.93	156	90		
4.00	3.90	88	50		
5.00	4.88	56	32		

LEDS C4[®]

Luminaria

Código 00-5940-CI-CI
Nombre SIXTIES

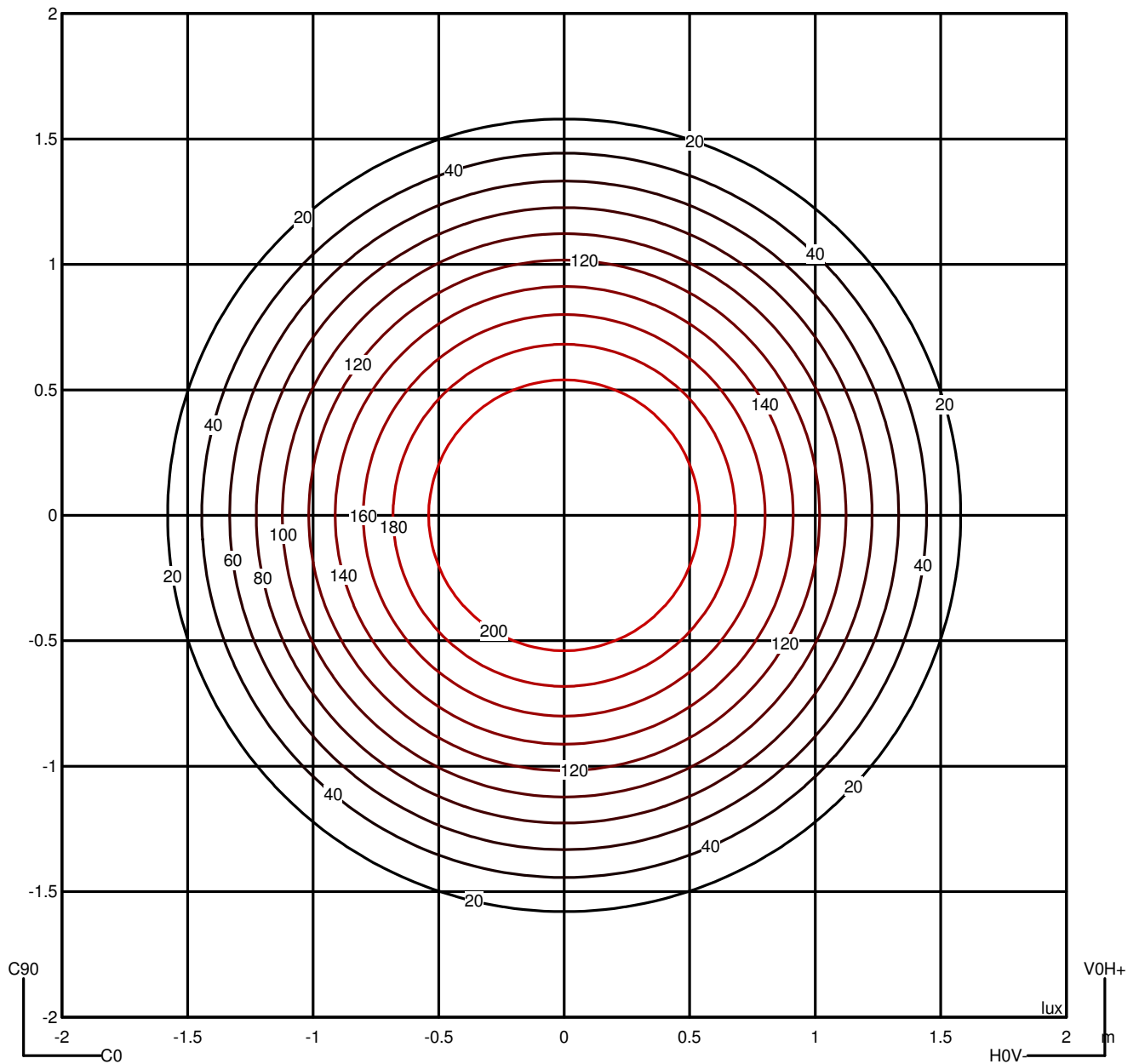
Ensayo

Código 00-5940-CI-CI
Nombre SIXTIES

Flujo Luminaria	957.20 lm	Potencia luminaria	13.40 W	Eficacia	71.43 lm/W	Eficiencia	100.00%
Flujo de Lámpara	957.20 lm	Valor Máximo	1464.40 cd/klm	Posición	C=0.00 G=0.00	CG	Rotosimétrico

Isolux (Suelo)

Posición Luminaria X=0.00m Y=0.00m Z=2.50m



LEDS C4[®]

Luminaria

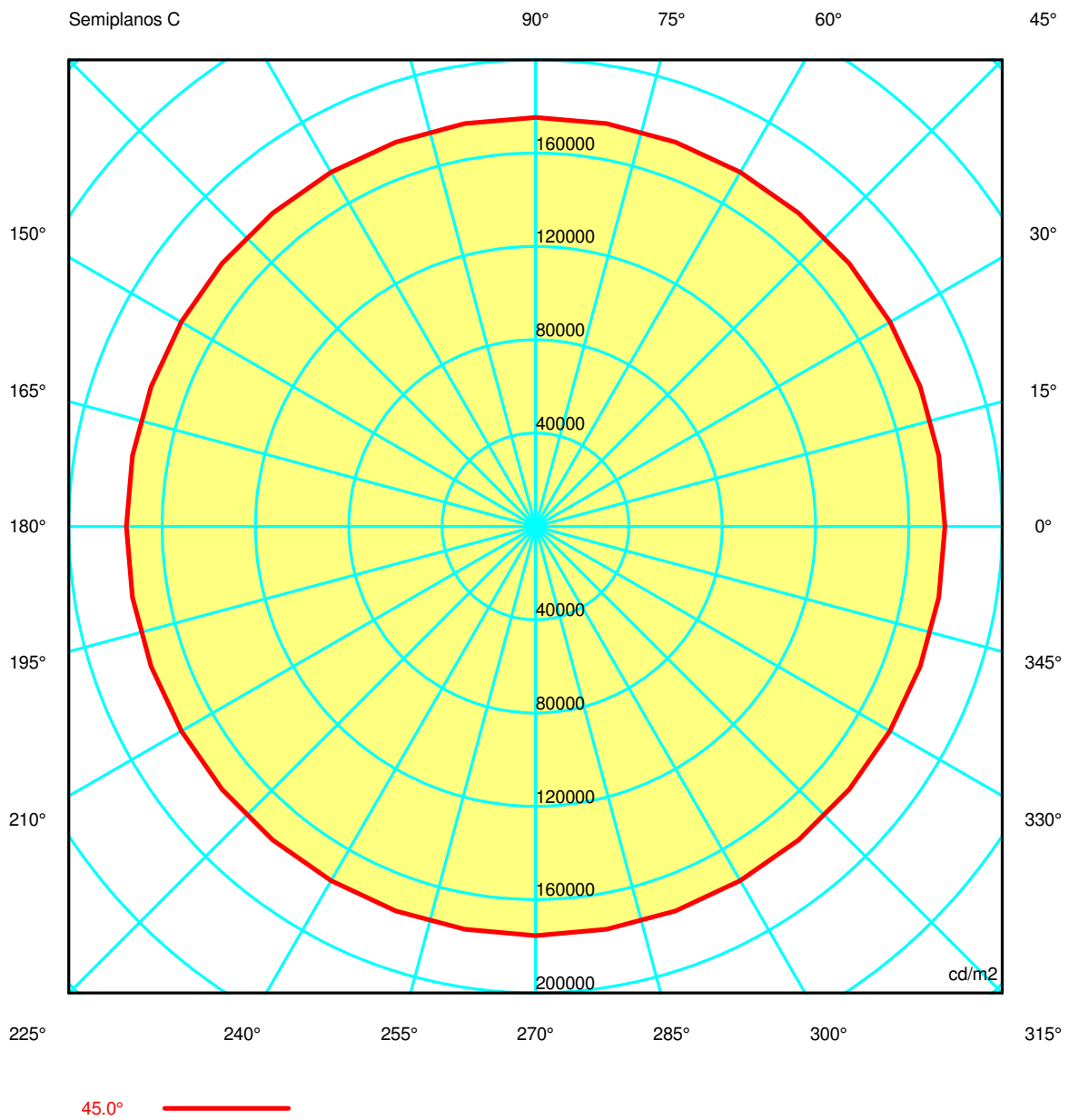
Código 00-5940-CI-CI
Nombre SIXTIES

Ensayo

Código 00-5940-CI-CI
Nombre SIXTIES

Flujo Luminaria	957.20 lm	Potencia luminaria	13.40 W	Eficacia	71.43 lm/W	Eficiencia	100.00%
Flujo de Lámpara	957.20 lm	Valor Máximo	1464.40 cd/klm	Posición	C=0.00 G=0.00	CG	Rotosimétrico

Luminancia



Luminaria

Código 00-5940-CI-CI

Nombre SIXTIES

Ensayo

Código 00-5940-CI-CI

Nombre SIXTIES

Flujo Luminaria	957.20 lm	Potencia luminaria	13.40 W	Eficacia	71.43 lm/W	Eficiencia	100.00%
Flujo de Lámpara	957.20 lm	Valor Máximo	1464.40 cd/klm	Posición	C=0.00 G=0.00	CG	Rotosimétrico

Luminance cd/m2 Tabla 1/3

	C 0.00	C 10.00	C 20.00	C 30.00	C 40.00	C 50.00	C 60.00	C 70.00	C 80.00	C 90.00	C 100.00	C 110.00	C 120.00
G 0.0	4461837.53	4461837.53	4461837.53	4461837.53	4461837.53	4461837.53	4461837.53	4461837.53	4461837.53	4461837.53	4461837.53	4461837.53	4461837.53
G 5.0	4463562.54	4463562.54	4463562.54	4463562.54	4463562.54	4463562.54	4463562.54	4463562.54	4463562.54	4463562.54	4463562.54	4463562.54	4463562.54
G 10.0	4434612.52	4434612.52	4434612.52	4434612.52	4434612.52	4434612.52	4434612.52	4434612.52	4434612.52	4434612.52	4434612.52	4434612.52	4434612.52
G 15.0	4157246.54	4157246.54	4157246.54	4157246.54	4157246.54	4157246.54	4157246.54	4157246.54	4157246.54	4157246.54	4157246.54	4157246.54	4157246.54
G 20.0	3582812.61	3582812.61	3582812.61	3582812.61	3582812.61	3582812.61	3582812.61	3582812.61	3582812.61	3582812.61	3582812.61	3582812.61	3582812.61
G 25.0	2702640.69	2702640.69	2702640.69	2702640.69	2702640.69	2702640.69	2702640.69	2702640.69	2702640.69	2702640.69	2702640.69	2702640.69	2702640.69
G 30.0	1414443.98	1414443.98	1414443.98	1414443.98	1414443.98	1414443.98	1414443.98	1414443.98	1414443.98	1414443.98	1414443.98	1414443.98	1414443.98
G 35.0	324195.50	324195.50	324195.50	324195.50	324195.50	324195.50	324195.50	324195.50	324195.50	324195.50	324195.50	324195.50	324195.50
G 40.0	233006.20	233006.20	233006.20	233006.20	233006.20	233006.20	233006.20	233006.20	233006.20	233006.20	233006.20	233006.20	233006.20
G 45.0	175375.78	175375.78	175375.78	175375.78	175375.78	175375.78	175375.78	175375.78	175375.78	175375.78	175375.78	175375.78	175375.78
G 50.0	155862.03	155862.03	155862.03	155862.03	155862.03	155862.03	155862.03	155862.03	155862.03	155862.03	155862.03	155862.03	155862.03
G 55.0	160861.36	160861.36	160861.36	160861.36	160861.36	160861.36	160861.36	160861.36	160861.36	160861.36	160861.36	160861.36	160861.36
G 60.0	84883.64	84883.64	84883.64	84883.64	84883.64	84883.64	84883.64	84883.64	84883.64	84883.64	84883.64	84883.64	84883.64
G 65.0	380.66	380.66	380.66	380.66	380.66	380.66	380.66	380.66	380.66	380.66	380.66	380.66	380.66
G 70.0	422.53	422.53	422.53	422.53	422.53	422.53	422.53	422.53	422.53	422.53	422.53	422.53	422.53
G 75.0	481.95	481.95	481.95	481.95	481.95	481.95	481.95	481.95	481.95	481.95	481.95	481.95	481.95
G 80.0	543.23	543.23	543.23	543.23	543.23	543.23	543.23	543.23	543.23	543.23	543.23	543.23	543.23
G 85.0	605.84	605.84	605.84	605.84	605.84	605.84	605.84	605.84	605.84	605.84	605.84	605.84	605.84
G 90.0	0.00	0.00	0.00	0.00	0.00	0.00	0.00	0.00	0.00	0.00	0.00	0.00	0.00

Luminaria

Código 00-5940-CI-CI

Nombre SIXTIES

Ensayo

Código 00-5940-CI-CI

Nombre SIXTIES

Flujo Luminaria	957.20 lm	Potencia luminaria	13.40 W	Eficacia	71.43 lm/W	Eficiencia	100.00%
Flujo de Lámpara	957.20 lm	Valor Máximo	1464.40 cd/klm	Posición	C=0.00 G=0.00	CG	Rotosimétrico

Luminance cd/m2 Tabla 2/3

	C 130.00	C 140.00	C 150.00	C 160.00	C 170.00	C 180.00	C 190.00	C 200.00	C 210.00	C 220.00	C 230.00	C 240.00	C 250.00
G 0.0	4461837.53	4461837.53	4461837.53	4461837.53	4461837.53	4461837.53	4461837.53	4461837.53	4461837.53	4461837.53	4461837.53	4461837.53	4461837.53
G 5.0	4463562.54	4463562.54	4463562.54	4463562.54	4463562.54	4463562.54	4463562.54	4463562.54	4463562.54	4463562.54	4463562.54	4463562.54	4463562.54
G 10.0	4434612.52	4434612.52	4434612.52	4434612.52	4434612.52	4434612.52	4434612.52	4434612.52	4434612.52	4434612.52	4434612.52	4434612.52	4434612.52
G 15.0	4157246.54	4157246.54	4157246.54	4157246.54	4157246.54	4157246.54	4157246.54	4157246.54	4157246.54	4157246.54	4157246.54	4157246.54	4157246.54
G 20.0	3582812.61	3582812.61	3582812.61	3582812.61	3582812.61	3582812.61	3582812.61	3582812.61	3582812.61	3582812.61	3582812.61	3582812.61	3582812.61
G 25.0	2702640.69	2702640.69	2702640.69	2702640.69	2702640.69	2702640.69	2702640.69	2702640.69	2702640.69	2702640.69	2702640.69	2702640.69	2702640.69
G 30.0	1414443.98	1414443.98	1414443.98	1414443.98	1414443.98	1414443.98	1414443.98	1414443.98	1414443.98	1414443.98	1414443.98	1414443.98	1414443.98
G 35.0	324195.50	324195.50	324195.50	324195.50	324195.50	324195.50	324195.50	324195.50	324195.50	324195.50	324195.50	324195.50	324195.50
G 40.0	233006.20	233006.20	233006.20	233006.20	233006.20	233006.20	233006.20	233006.20	233006.20	233006.20	233006.20	233006.20	233006.20
G 45.0	175375.78	175375.78	175375.78	175375.78	175375.78	175375.78	175375.78	175375.78	175375.78	175375.78	175375.78	175375.78	175375.78
G 50.0	155862.03	155862.03	155862.03	155862.03	155862.03	155862.03	155862.03	155862.03	155862.03	155862.03	155862.03	155862.03	155862.03
G 55.0	160861.36	160861.36	160861.36	160861.36	160861.36	160861.36	160861.36	160861.36	160861.36	160861.36	160861.36	160861.36	160861.36
G 60.0	84883.64	84883.64	84883.64	84883.64	84883.64	84883.64	84883.64	84883.64	84883.64	84883.64	84883.64	84883.64	84883.64
G 65.0	380.66	380.66	380.66	380.66	380.66	380.66	380.66	380.66	380.66	380.66	380.66	380.66	380.66
G 70.0	422.53	422.53	422.53	422.53	422.53	422.53	422.53	422.53	422.53	422.53	422.53	422.53	422.53
G 75.0	481.95	481.95	481.95	481.95	481.95	481.95	481.95	481.95	481.95	481.95	481.95	481.95	481.95
G 80.0	543.23	543.23	543.23	543.23	543.23	543.23	543.23	543.23	543.23	543.23	543.23	543.23	543.23
G 85.0	605.84	605.84	605.84	605.84	605.84	605.84	605.84	605.84	605.84	605.84	605.84	605.84	605.84
G 90.0	0.00	0.00	0.00	0.00	0.00	0.00	0.00	0.00	0.00	0.00	0.00	0.00	0.00

Luminaria

Código 00-5940-CI-CI
Nombre SIXTIES

Ensayo

Código 00-5940-CI-CI
Nombre SIXTIES

Flujo Luminaria	957.20 lm	Potencia luminaria	13.40 W	Eficacia	71.43 lm/W	Eficiencia	100.00%
Flujo de Lámpara	957.20 lm	Valor Máximo	1464.40 cd/klm	Posición	C=0.00 G=0.00	CG	Rotosimétrico

Luminance cd/m2 Tabla 3/3

	C 260.00	C 270.00	C 280.00	C 290.00	C 300.00	C 310.00	C 320.00	C 330.00	C 340.00	C 350.00
G 0.0	4461837.53	4461837.53	4461837.53	4461837.53	4461837.53	4461837.53	4461837.53	4461837.53	4461837.53	4461837.53
G 5.0	4463562.54	4463562.54	4463562.54	4463562.54	4463562.54	4463562.54	4463562.54	4463562.54	4463562.54	4463562.54
G 10.0	4434612.52	4434612.52	4434612.52	4434612.52	4434612.52	4434612.52	4434612.52	4434612.52	4434612.52	4434612.52
G 15.0	4157246.54	4157246.54	4157246.54	4157246.54	4157246.54	4157246.54	4157246.54	4157246.54	4157246.54	4157246.54
G 20.0	3582812.61	3582812.61	3582812.61	3582812.61	3582812.61	3582812.61	3582812.61	3582812.61	3582812.61	3582812.61
G 25.0	2702640.69	2702640.69	2702640.69	2702640.69	2702640.69	2702640.69	2702640.69	2702640.69	2702640.69	2702640.69
G 30.0	1414443.98	1414443.98	1414443.98	1414443.98	1414443.98	1414443.98	1414443.98	1414443.98	1414443.98	1414443.98
G 35.0	324195.50	324195.50	324195.50	324195.50	324195.50	324195.50	324195.50	324195.50	324195.50	324195.50
G 40.0	233006.20	233006.20	233006.20	233006.20	233006.20	233006.20	233006.20	233006.20	233006.20	233006.20
G 45.0	175375.78	175375.78	175375.78	175375.78	175375.78	175375.78	175375.78	175375.78	175375.78	175375.78
G 50.0	155862.03	155862.03	155862.03	155862.03	155862.03	155862.03	155862.03	155862.03	155862.03	155862.03
G 55.0	160861.36	160861.36	160861.36	160861.36	160861.36	160861.36	160861.36	160861.36	160861.36	160861.36
G 60.0	84883.64	84883.64	84883.64	84883.64	84883.64	84883.64	84883.64	84883.64	84883.64	84883.64
G 65.0	380.66	380.66	380.66	380.66	380.66	380.66	380.66	380.66	380.66	380.66
G 70.0	422.53	422.53	422.53	422.53	422.53	422.53	422.53	422.53	422.53	422.53
G 75.0	481.95	481.95	481.95	481.95	481.95	481.95	481.95	481.95	481.95	481.95
G 80.0	543.23	543.23	543.23	543.23	543.23	543.23	543.23	543.23	543.23	543.23
G 85.0	605.84	605.84	605.84	605.84	605.84	605.84	605.84	605.84	605.84	605.84
G 90.0	0.00	0.00	0.00	0.00	0.00	0.00	0.00	0.00	0.00	0.00

LEDS C4[®]

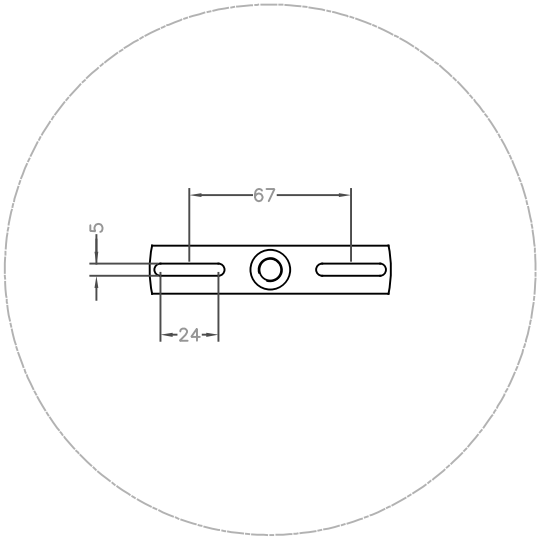
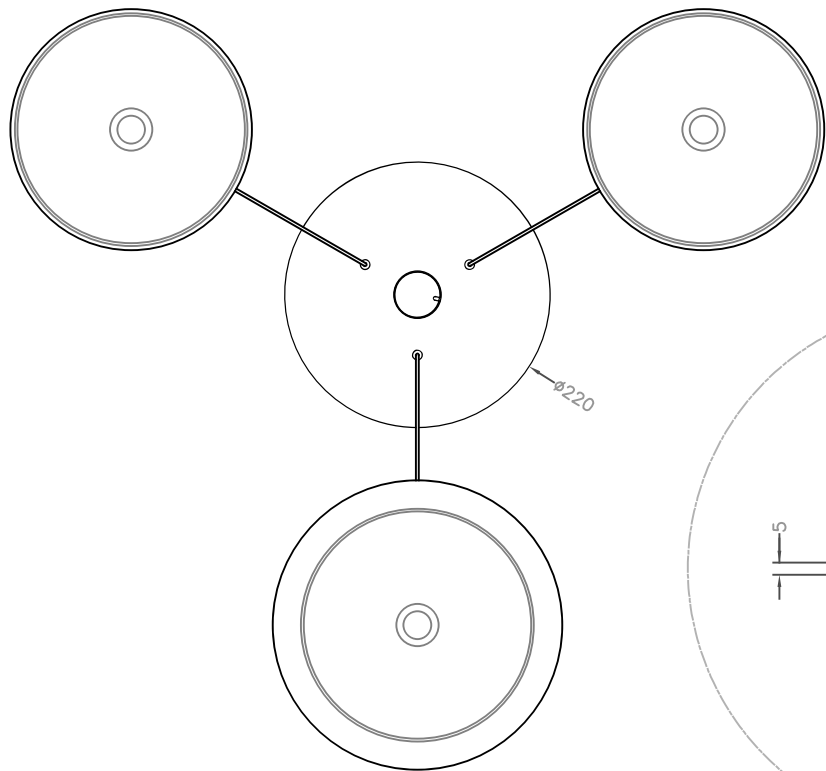
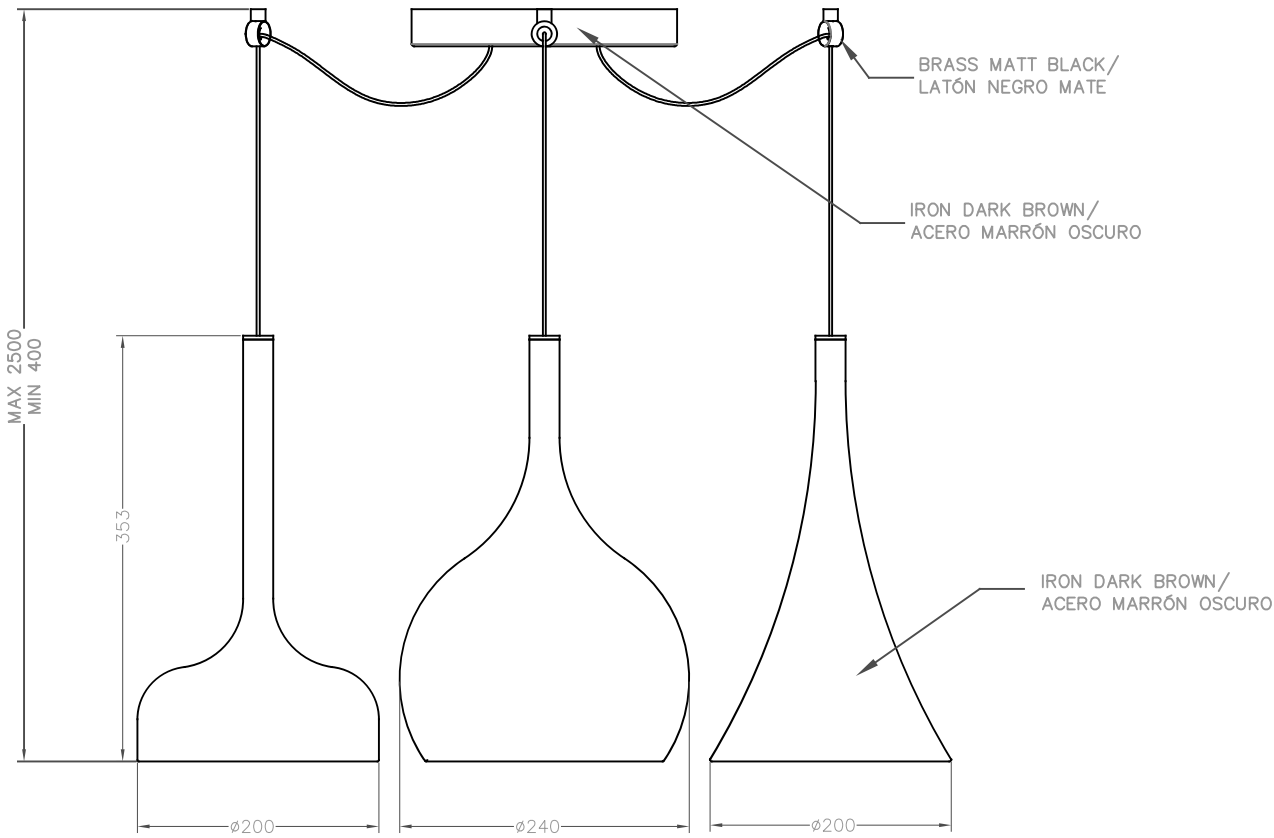
Luminaria

Código 00-5940-CI-CI
Nombre SIXTIES

Ensayo

Código 00-5940-CI-CI
Nombre SIXTIES

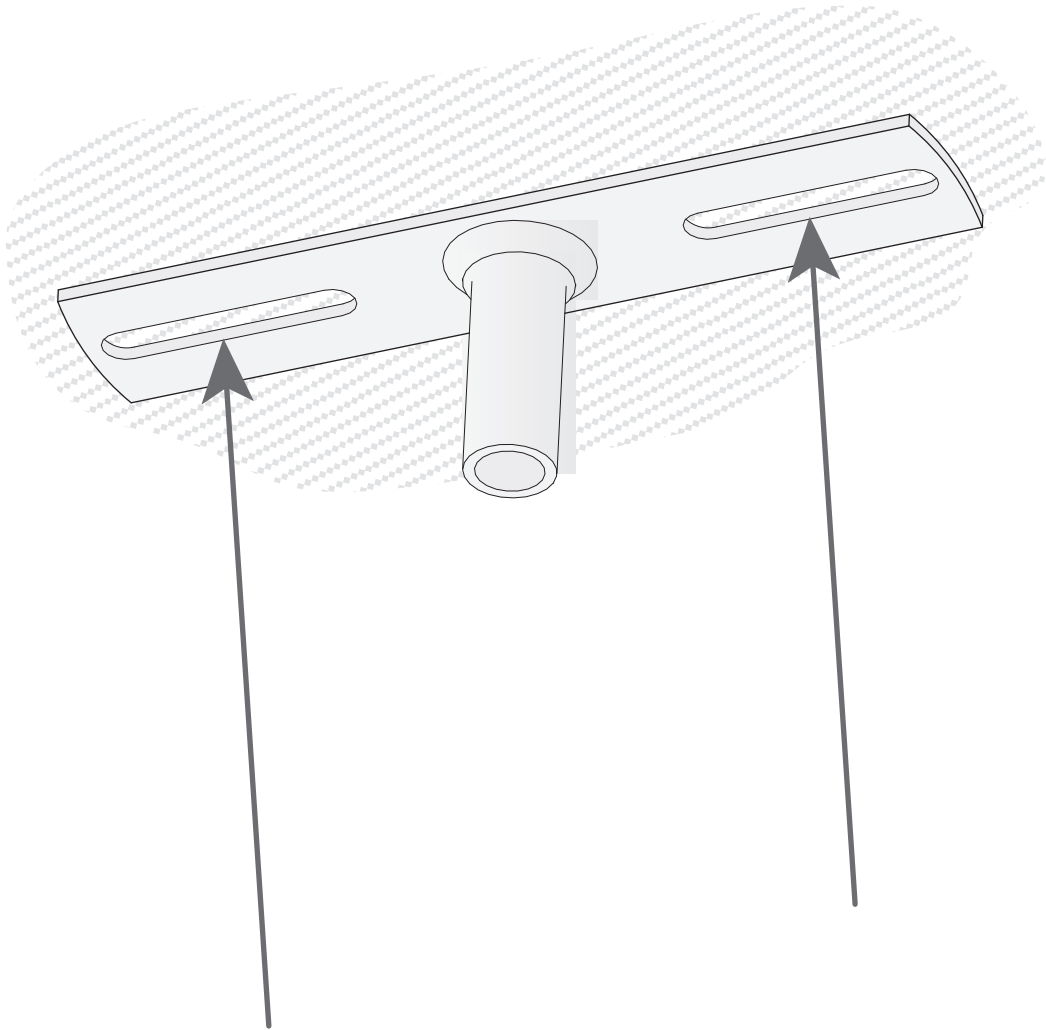
Flujo Luminaria	957.20 lm	Potencia luminaria	13.40 W	Eficacia	71.43 lm/W	Eficiencia	100.00%
Flujo de Lámpara	957.20 lm	Valor Máximo	1464.40 cd/klm	Posición	C=0.00 G=0.00	CG	Rotosimétrico

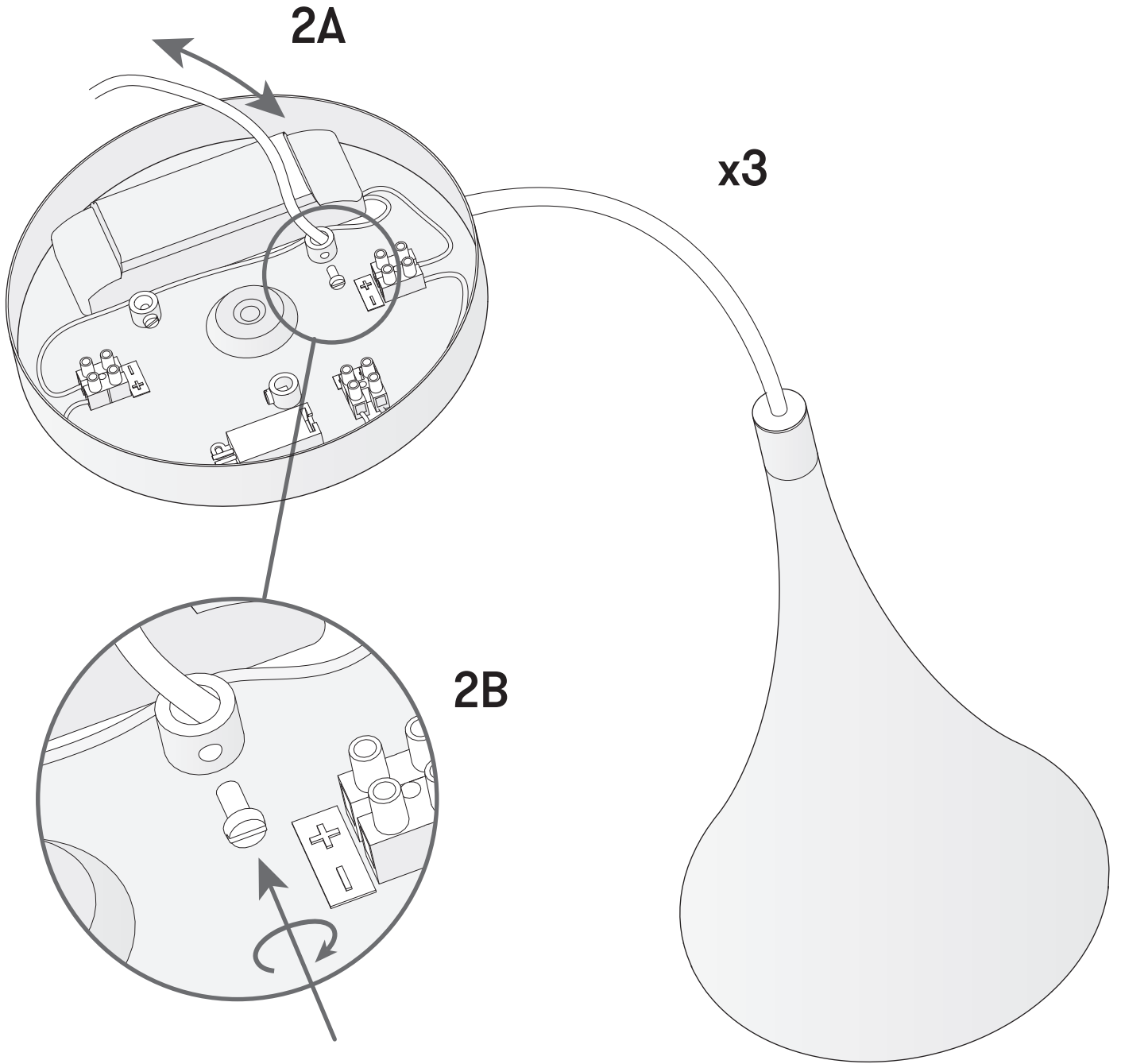


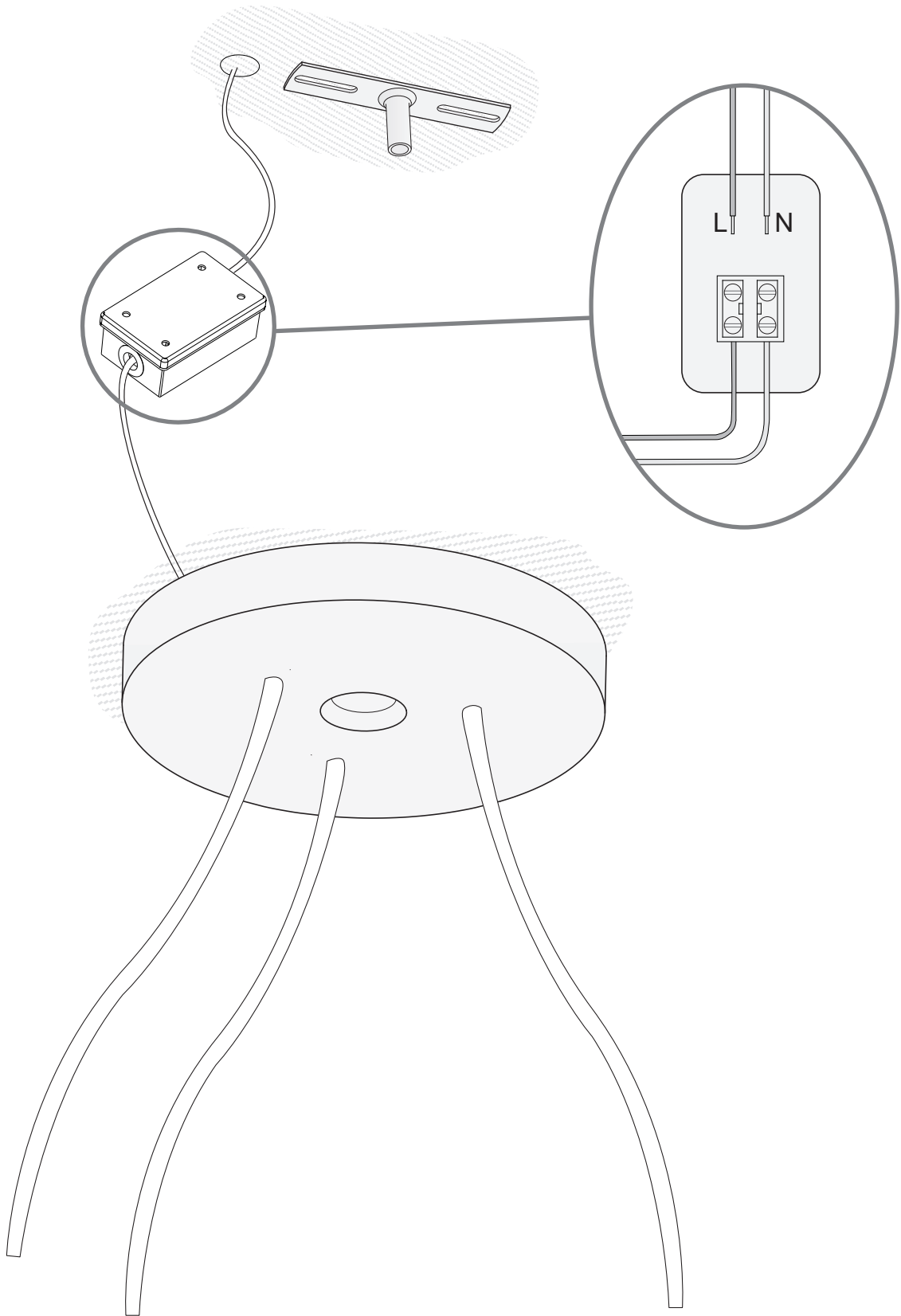
Grok

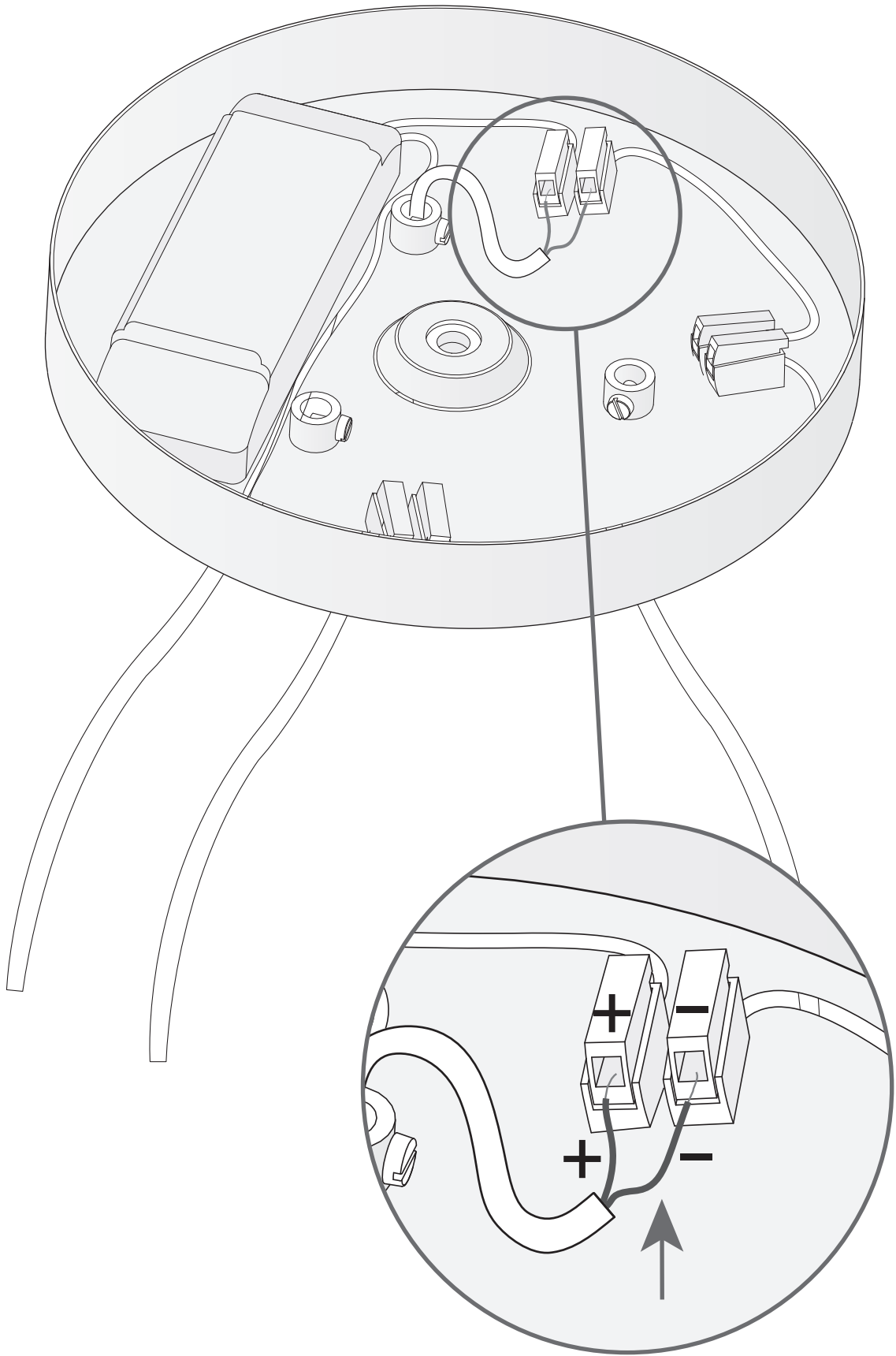
Light is life.

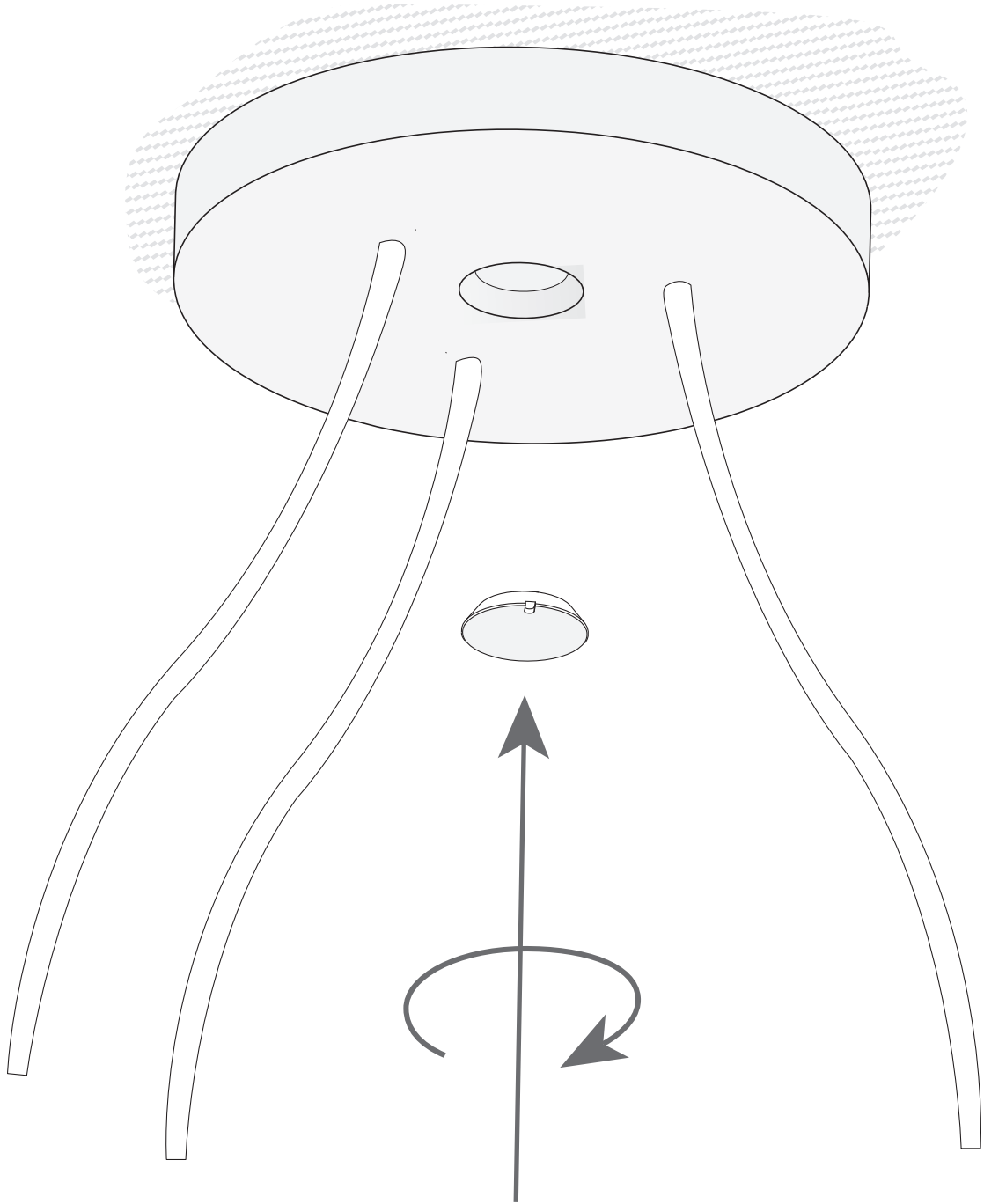
Sixties
00-5940

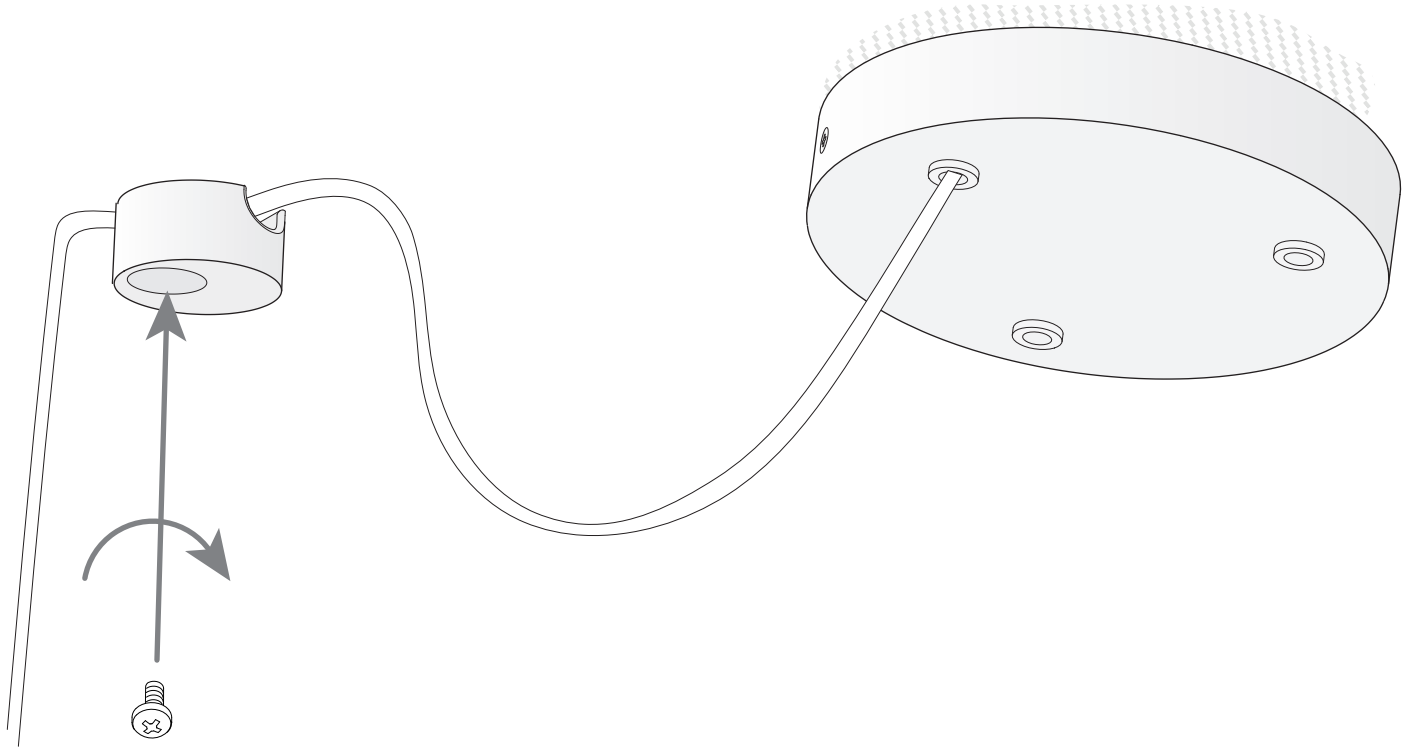














(ES) Derechos de garantía

El fabricante **LEDS-C4, S.A.** garantiza al consumidor y usuario el correcto funcionamiento del producto y posibles reparaciones o suministro de recambios del modelo debidos a defectos de fabricación durante el periodo de **5 años*** desde la fecha de entrega, pero no puede responsabilizarse de daños y/o perjuicios causados por un mal empleo del mismo. Para cualquier reclamación, se deberá adjuntar a esta garantía el ticket de compra. La empresa se compromete a la reparación total gratuita de los vicios o defectos detectados en el producto. Asimismo, si la reparación no es satisfactoria y el objeto no alcanza las condiciones óptimas para cumplir el uso al que está destinado, el titular de la garantía tendrá derecho a la sustitución del objeto adquirido por otro de idénticas características, a la rebaja del precio o la resolución del contrato. ***Consultar condiciones de garantía en www.leds-c4.com.**

Composición: Acabados: baños y/o pinturas epoxi y compuestos de materiales nobles. Estructuras: latón, acero y materiales de fundición. Otros componentes: alabastro, cristal, pantallas de tela, madera y piel.

MANTENIMIENTO: Desconectar la tensión de la red de alimentación antes de llevar a cabo cualquier operación de mantenimiento. No utilizar bombillas de distinto tipo ni de potencia superior a la indicada en la etiqueta de la luminaria. Durante las operaciones de limpieza, y para asegurar una mejor conservación, utilizar un paño suave y seco. El uso de productos abrasivos o de disolventes puede deteriorar el acabado de la luminaria.

IMPORTANTE: 1- La conexión eléctrica debe realizarla un técnico electricista. La manipulación interna o externa de la luminaria puede comprometer su seguridad. LEDS-C4, S.A. no se hará responsable de ninguna manipulación hecha por el usuario. 2- Si el cable o cordón de esta luminaria está dañado, deberá sustituirse exclusivamente por el fabricante o su servicio técnico, o por una persona con calificación equivalente, con objeto de evitar cualquier posible riesgo. 3- No monte la luminaria sobre superficies húmedas, recién pintadas o que presenten conductividad eléctrica. 4- Todas las luminarias sin protección especial contra la penetración de polvo o de humedad (sin marca IP) son aptas para uso en interior, excepto en baños. 5- Utilice sistemas de sujeción acordes con el peso del aparato. 6- Aleje siempre las conexiones y los cables de los puntos de calor de la luminaria. 7- Asegúrese de que los conductores de la instalación no resulten deteriorados por los tornillos de sujeción. 8- Bajo ninguna circunstancia la luminaria debe ser cubierta. 9- Las lámparas se calientan mucho durante su funcionamiento. Tóquelas sólo cuando se hayan enfriado, pasados 15 minutos. 10- No colgar ni apoyar elementos sobre las luminarias.

SÍMBOLOS:



Luminaria no adecuada para cubrirse con material aislante térmico.



Luminaria superficial no adecuada para montaje en superficies normalmente inflamables.



Luminaria empotrada no adecuada para montaje en normalmente superficies inflamables.



Todas las luminarias marcadas con este símbolo son de Clase I. El conductor de toma de tierra debe conectarse al borne marcado con el símbolo de toma de tierra.



Todas las luminarias marcadas con este símbolo son de Clase II. Ninguna parte metálica de las luminarias de Clase II se conectará al conductor de toma de tierra de la instalación de la vivienda.



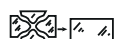
Todas las luminarias marcadas con este símbolo son de Clase III, lo cual significa que funcionan a muy baja tensión. Ninguna parte metálica de las luminarias de Clase III se conectará al conductor de toma de tierra de la instalación de la vivienda.



Este símbolo indica la distancia mínima entre el foco de la luminaria y el objeto iluminado.



Todas las luminarias marcadas con este símbolo están diseñadas para usar únicamente lámparas halógenas de wolframio o lámparas de halógenos metálicos con pantalla de protección propia.



Todas las luminarias marcadas con este símbolo deben equiparse con la pantalla de protección suministrada con la luminaria. Sustituir cualquier protector roto o defectuoso.



Precaución, riesgo de choque eléctrico.



No mirar fijamente a la fuente de luz en funcionamiento.



El símbolo de la papelera tachada en el aparato o en el embalaje, indica que el producto al final de su vida deberá eliminarse por separado de los demás desechos.

(EN) Warranty rights

LEDS-C4, S.A. guarantees to the consumer and the user of this product its correct operation and covers any possible repairs or the supply of parts for this product due to manufacturing defects for **5 years*** from the date of delivery. LEDS-C4, S.A. does not accept liability for any damages arising from incorrect use of this product. Please note that, in order to make a claim, you will be required to present this guarantee certificate together with proof of purchase. LEDS-C4, S.A. will completely repair the defects in the product free of charge. Also, if the product was not repaired to a satisfactory standard or if it was not fit for purpose, the holder of the guarantee will be entitled to the replacement of the purchased product for another one of the same features, to a price reduction or to the termination of the contract. ***Check warranty conditions at www.leds-c4.com.**

Composition: Finishes: plating and/or Epoxy paints and compounds of noble materials. Structure: brass, steel and cast iron. Other components: alabaster, crystal, fabric shades, wood and leather.

MAINTENANCE: Disconnect the mains voltage before starting any maintenance work. Do not use bulbs with a higher wattage than stated on the label of the luminaire. When cleaning, use a dry soft cloth to avoid damage. The use of abrasive products or solvents may harm the finish of the luminaire.

IMPORTANT: 1- The electrical connection of the luminaire should be performed by a qualified electrician. The internal or external manipulation of the luminaire may reduce its safety. LEDS-C4, S.A. cannot be held liable for any manipulation carried out by the user. 2- Should the luminaire cable or lead be damaged, it should be replaced only by the manufacturer or their technical service department, or someone equally qualified, in order to avoid any risk. 3- Do not install the luminaire on surfaces that are moist, freshly painted or electrically conductive. 4- All luminaires without special protection against dust or moisture (no IP rating) may be used indoors, except in bathrooms. 5- Use fastening systems appropriate to the weight of the appliance. 6- Make sure the connections and cables do not come into contact with the hot parts of the luminaire. 7- Make sure the installation conductors are not damaged by the fastening screws. 8- Under no circumstances should the luminaire be covered. 9- The lamps become very hot during operation. Let them cool down for 15 minutes after switch-off before handling them. 10- Do not lean or hang any objects from the luminaire.

SYMBOLS:



Luminaires not suitable for covering with thermally insulating material.



Surface luminaire not suitable for direct mounting on normally flammable surfaces.



Recessed luminaire not suitable for direct mounting on normally flammable surfaces.



All the luminaires bearing this symbol belong to Class I. The earth wire must be connected to the terminal marked with the Earth symbol.



All luminaires bearing this symbol are Class II. No metal part of Class II luminaires shall be connected to the earth connection of the home installation.



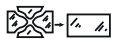
All luminaires bearing this symbol are Class III, which means that they operate at very low voltage. No metal part of Class III luminaires shall be connected to the earth connection of the home installation.



This symbol indicates the minimum distance to be left between the lamp of the luminaire and the object illuminated.



All luminaires bearing this symbol should be installed only with halogen wolfram lamps or metal halide lamps with their own enclosure.



All luminaires bearing this symbol should be installed with their protective enclosure. Replace any enclosure that is broken or faulty.



Caution, risk of electric shock.



Do not stare at the light source when in operation.



The crossed bin symbol on the device or on the packaging means that, at the end of its life, the product will need to be disposed of separately from the rest of residues.

(FR) Drots de garantie

Le fabricant **LEDS-C4, S.A.** garantit au consommateur et à l'utilisateur le fonctionnement correct du produit, ainsi que d'éventuelles réparations ou livraisons de pièces de rechange du modèle en cas de défauts de fabrication, pendant la période de **5 ans*** à compter de la date de livraison. Il ne peut toutefois être tenu responsable des dommages et/ou préjudices occasionnés par une mauvaise utilisation du produit. Pour toute réclamation, il convient de joindre le ticket d'achat à la présente garantie. L'entreprise s'engage à réparer totalement et gratuitement les vices ou défauts détectés sur le produit. De même, si la réparation ne s'avère pas satisfaisante ou que l'objet ne remplit pas les conditions optimales nécessaires pour assurer l'utilisation à laquelle il est destiné, le titulaire de la garantie a droit au remplacement de l'objet acquis par un autre aux caractéristiques identiques, à une réduction de prix ou à la résolution du contrat. ***Consultez les conditions la garantie sur www.leds-c4.com.**

Composition: Finitions: par trempage et/ou peintures époxy et matériaux nobles. Structures : laiton, acier et matériaux de fonte. Autres composants : albâtre, verre, abat-jour en tissu, bois et cuir.

ENTRETIEN: Déconnecter le luminaire du réseau d'alimentation avant de réaliser toute opération d'entretien. Ne pas utiliser d'ampoules d'un autre type ou d'une puissance supérieure à celle indiquée sur l'étiquette du luminaire. Au cours des opérations de nettoyage, pour garantir une meilleure conservation, utiliser un chiffon doux et sec. L'utilisation de produits abrasifs ou de solvants peut détériorer la finition du luminaire.

IMPORTANT: 1- Le raccordement électrique sera effectué par un technicien électricien. La manipulation interne ou externe du luminaire peut compromettre votre sécurité. LEDS-C4, S.A. n'est pas responsable des manipulations réalisées par l'utilisateur. 2- Si le câble ou le cordon du luminaire est endommagé, il devra être remplacé uniquement par le fabricant, le service technique ou quelqu'un de qualifié afin d'éviter tout risque éventuel. 3- Ne pas monter le luminaire sur une surface humide, récemment peinte ou présentant une forte conductivité électrique. 4- Tous les luminaires sans protection particulière contre la poussière ou l'humidité (sans marque IP) sont aptes à une utilisation en intérieur, à l'exception des salles de bains. 5- Utiliser des systèmes de fixation adaptés au poids de l'appareil. 6- Éloigner systématiquement les connexions et les câbles des points de chaleur du luminaire. 7- S'assurer que les conducteurs de l'installation ne sont pas endommagés par les vis de fixation. 8- Le luminaire ne doit en aucun cas être couvert. 9- Les lampes chauffent beaucoup en cours de fonctionnement. Ne les touchez qu'une fois refroidies, au bout de 15 minutes. 10- Ne pas accrocher ou appuyer d'éléments sur les luminaires.

SYMBOLES:



Ne pas recouvrir le luminaire avec du matériau isolant.



Luminaire superficiel non appropriée pour montage sur des surfaces normalement Inflammables.



Luminaire construite non appropriée pour montage sur des surfaces normalement Inflammables.



Tous les luminaires marqués de ce symbole sont de Classe I. Le conducteur de prise de terre est à relier à la borne marquée du symbole correspondant.



Tous les luminaires marqués de ce symbole appartiennent à la catégorie II. Aucune partie métallique d'un luminaire de catégorie II ne doit être raccordée à la terre de l'installation.



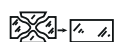
Tous les luminaires marqués de ce symbole appartiennent à la catégorie III, ce qui signifie qu'ils fonctionnent à très basse tension. Aucune partie métallique d'un luminaire de catégorie III ne doit être raccordée à la terre de l'installation.



Ce symbole désigne la distance minimale entre l'ampoule d'un luminaire et l'objet à éclairer.



Tous les luminaires marqués de ce symbole, sont uniquement prévus pour utiliser des lampes halogènes en wolfram ou lampes en halogénures métalliques avec écran de protection propre.



Tous les luminaires marqués de ce symbole doivent être équipés de l'écran de protection fourni avec l'appareil. Remplacer tout écran brisé ou défectueux.



Attention, risque de choc électrique.



Ne pas regarder directement la source de lumière en fonctionnement.



La présence, sur l'appareil ou l'emballage, du symbole de la corbeille à papier barrée d'un trait indique qu'en fin de vie le produit est à éliminer séparément des autres déchets.

(DEU) Garantieansprüche

Der Hersteller **LEDS-C4, S.A.** gewährleistet dem Endkunden (Verbraucher) für eine Garantielaufzeit von **5 Jahren*** ab Kaufdatum den einwandfreien Betrieb des Geräts sowie eventuell notwendige Reparaturen oder Ersatzteillieferungen für das Modell als Folge von Mängeln, die aus Herstellungsfehlern resultieren. Der Hersteller übernimmt jedoch keine Verantwortung für Schäden, die auf unsachgemäße Handhabung des Gerätes zurückzuführen sind. Bei einer Reklamation müssen die Garantiekarte und der Kaufbeleg mit eingeschickt werden. Unsere Firma verpflichtet sich zur vollständigen und kostenlosen Reparatur der am Produkt festgestellten Mängeln oder Störungen. Sollte die Reparatur nicht zufriedenstellend ausfallen und das instandgesetzte Modell nicht voll funktionstüchtig sein, hat der Garantieinhaber Anspruch auf Lieferung eines gleichwertigen Ersatzartikels, einen Preisnachlass oder die Vertragsauflösung mit Erstattung des Kaufpreises. ***Konsultieren Sie die Bedingungen der Garantie** auf www.leds-c4.com.

Bestandteile: Oberflächen: Epoxi Galvanisierung und/oder Farben und Edelmetalle. Lampenkörper: Messing, Stahl und Gussmetalle. Andere Bestandteile: Alabaster, Glas, Lampenschirme aus Stoff, Holz und Leder.

WARTUNG: Nehmen Sie vor allen Wartungsarbeiten die Netzsicherung heraus. Verwenden Sie nur Glühbirnen gleichen Typs und beachten Sie die auf dem Typenschild angegebene maximale Lampenleistung. Verwenden Sie bei Reinigungsarbeiten zur größtmöglichen Schonung der Lampe ein weiches, trockenes Tuch. Scheuer- und Lösungsmittel können die Oberfläche der Lampe angreifen.

WICHTIGE HINWEISE: 1- Der elektrische Anschluss sollte von einem Fachmann vorgenommen werden. Eigenmächtige Arbeiten im oder am Lampengehäuse können ein Sicherheitsrisiko darstellen. LEDS-C4, S.A. übernimmt keinerlei Haftung bei unsachgemäßen Eingriffen durch den Benutzer. 2- Falls das Stromzufuhrkabel oder die Stromzufuhrschnur dieser Leuchte beschädigt ist, darf diese aus Sicherheitsgründen nur durch den Hersteller selbst, seinen technischen Reparaturdienst oder einen entsprechend qualifizierten Fachmann ersetzt werden. 3- Die Leuchte darf nicht auf feuchten, kurz zuvor angestrichenen oder elektrisch leitenden Flächen installiert werden. 4- Die Leuchten ohne besonderen Schutz gegen das Eindringen von Staub und Feuchtigkeit (ohne IP Markierung) sind geeignet für den Gebrauch in Innenräumen, ausgenommen dem Badezimmer. 5- Benutzen Sie Befestigungsvorrichtungen, die dem Gewicht des Gerätes entsprechen. 6- Achten Sie darauf, dass die Stromanschlüsse und Leitungen möglichst weit von den Wärme abstrahlenden Stellen der Leuchte entfernt sind. 7- Versichern Sie sich, dass die Stromzufuhrkabel der Anlage nicht von den Befestigungsschrauben beschädigt werden. 8- Die Leuchte darf unter keinen Umständen abgedeckt werden. 9- Die Lampen werden während des Betriebs sehr heiß. Vor dem Anfassen mindestens 15 Minuten warten, bis sie etwas abgekühlt sind. 10- Keine Gegenstände an die Leuchten hängen oder an ihnen abstützen.

SYMBOLER:



Leuchten nicht mit Dämm-Material abdecken.



Oberflächliche Leuchten dürfen nicht auf unter normalen Bedingungen leicht entzündbaren Oberflächen angebracht werden.



Einbauleuchte dürfen nicht auf unter normalen Bedingungen leicht entzündbaren Oberflächen angebracht werden.



Alle mit diesem Symbol gekennzeichneten Leuchten sind der Klasse I. Der Erdungsanschluss muss an die mit dem Erdungssymbol gekennzeichneten Klemme angeschlossen werden.



Alle mit diesem Symbol gekennzeichneten Leuchten gehören der Klasse II an. Metallteile von Leuchten der Klasse II dürfen nicht mit der Erdung der elektrischen Installation in der Wohnung in Berührung kommen.



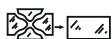
Alle mit diesem Symbol gekennzeichneten Leuchten sind Niederspannungsleuchten der Klasse III. Metallteile von Leuchten der Klasse III dürfen nicht mit der Erdung der elektrischen Installation in der Wohnung in Berührung kommen.



Dieses Symbol gibt den Mindestabstand zwischen der Lichtquelle und dem zu beleuchtenden Objekt an.



Sämtliche mit diesen Zeichen ausgestatteten Leuchten sind dazu entworfen worden, ausschließlich mit Wolfram-Halogenleuchten oder mit Metaldampf Leuchten mit eigenem Schutzschild bestückt zu werden.



Alle mit diesem Symbol gekennzeichneten Leuchten müssen mit dem beiliegenden Schutzschirm versehen werden. Tauschen Sie in jedem Fall den zerbrochenen oder fehlerhaften Schutz aus.



Vorsicht, Stromschlaggefahr.



Nicht direkt in die Lichtquelle blicken.



Das Symbol des durchgestrichenen Papierkorbs auf dem Gerät oder der Verpackung bedeutet, dass das Produkt am Ende seiner Nutzungsdauer als Sondermüll entsorgt werden muss.

LEDS-C4, S.A.
Spain
groklighting.com