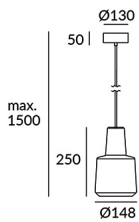


KHOI Pendant

Description

Pendant for indoor use.

For downlighting. Design by Nahtrang. Contemporary design. Optimum visual comfort. Embedded/surface mounted double installation. High durability for intensive use. Structure material: Aluminium. Structure finish: Concrete grey. Diffuser material: Glass. Diffuser finish: Fumé. Warranty: 5 Years.



Finish
Concrete grey
Fumé

Material
Aluminium
Glass



TECHNICAL CHARACTERISTICS

Light source

Light source: LED CREE
Output (W): 19.5W
Total power consumption (W): 22,7W
Color temperature: Warm White - 3000K
CRI: 80
Photobiological risk: RG1
Real Lumen: 907
Qty Leds: 1
Lm/Real W: 40
Life Time: 50.000h L70B30
Bin / Grup: 30H
MacAdam steps: 2
UGR: 25.6

GEAR

Brand: EAGLERISE
Gear included: Yes, electronic
Voltage / Frequency: 100-240 VAC
Power Factor: 0.95

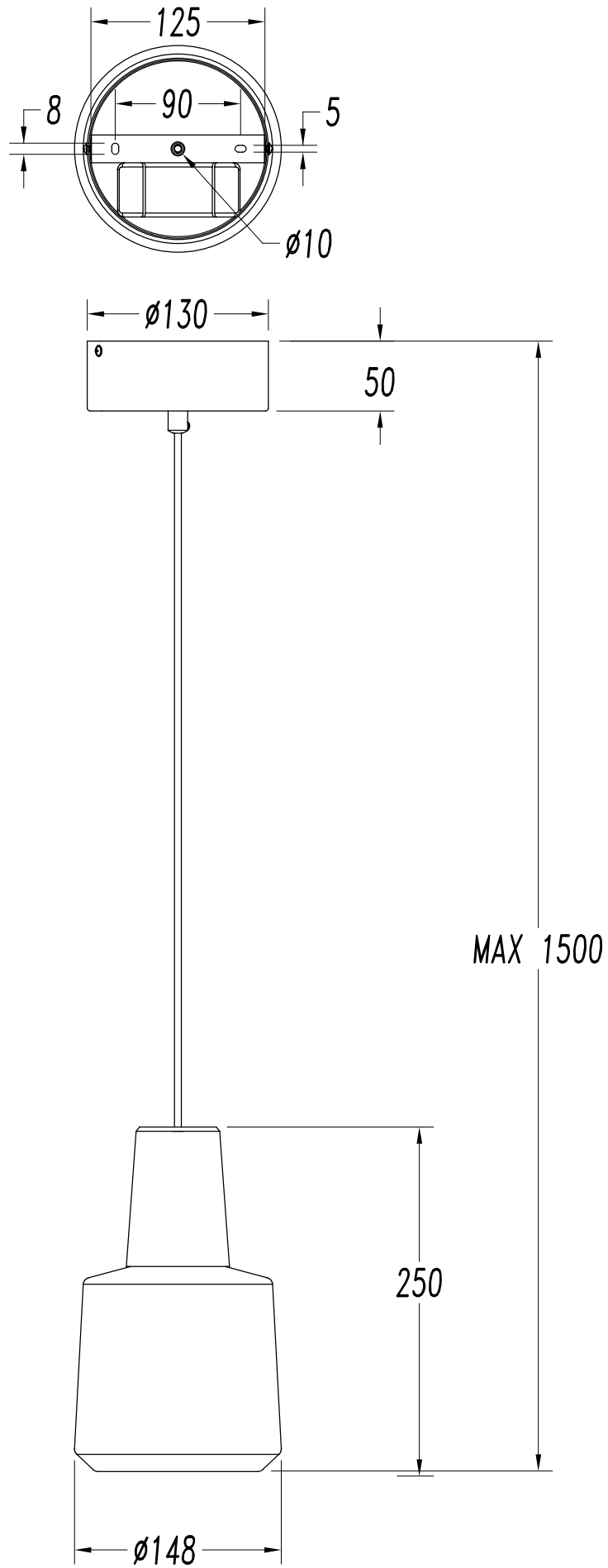
Luminaire

Warranty: 5 Years

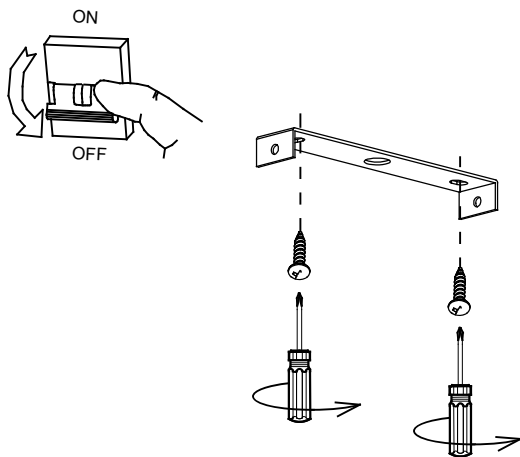
Logistics

Energy Efficiency: LED A++
EAN Code: 8435381422622
Net Weight (Kg): 2.050
Weight in Kg (packaged): 3.156
Packing: 230 x 230 x 330
Masterbox: 6

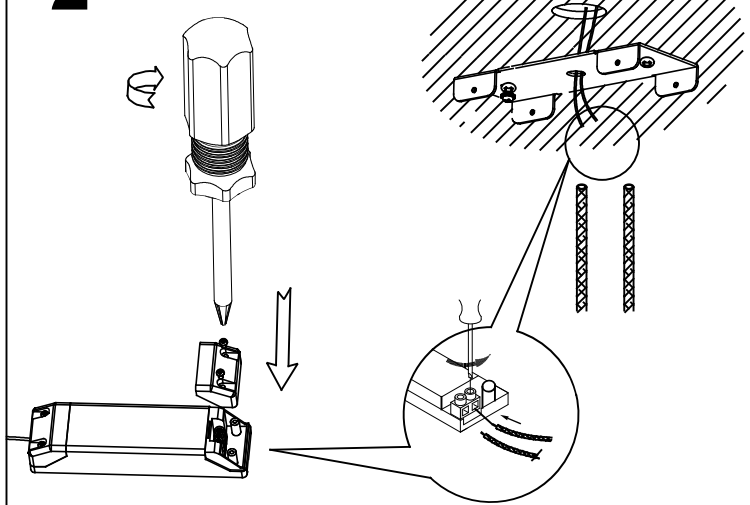
The photograph may not match the reference exactly. Please read the product description to identify the finish.



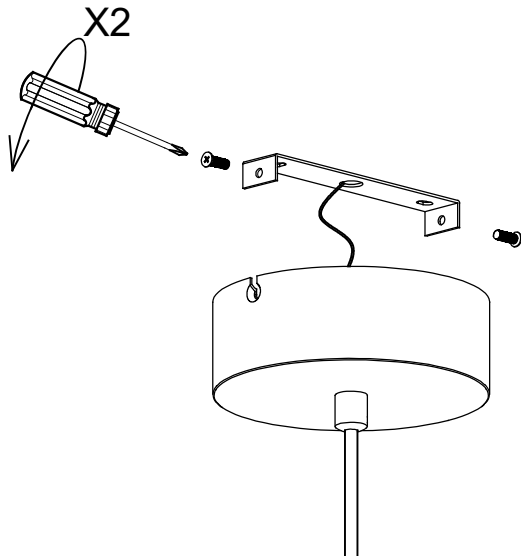
1



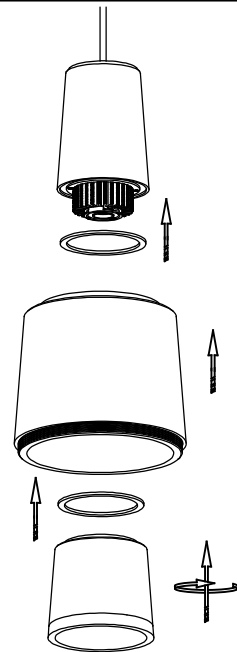
2



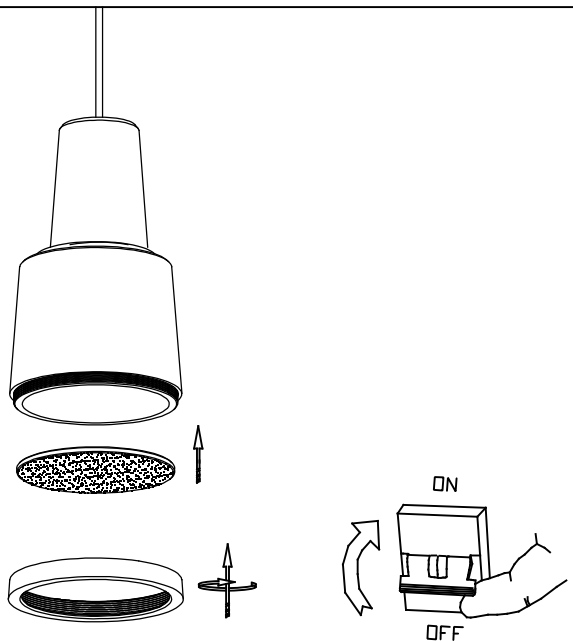
3



4



5



6

