

Scopas - App Compatible



IP20  Dimmerable: 

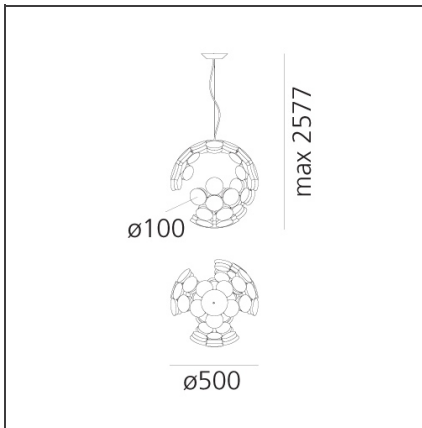
DESIGN BY

Neil Poulton

DESCRIPTION

Created through the repetition of an elementary module, this suspension lamp consists of a sphere with an incomplete structure. Ever changing in its appearance, depending on the point it is viewed from, it radically breaks the mould of the pure and sometimes monotonous forms that normally characterise this kind of lamp. Like the Death Star of the Empire in Star Wars, immobile in space, its apparent incompleteness is contrasted with its technical efficiency.

TECHNICAL DRAWINGS



FEATURES

Article Code:	1529010APP	Material:	Aluminium, methacrylate, ABS
Colour:	Black and white	Series:	Design
Installation:	Suspension	Area contract:	Retail
Environment:	Indoor	Emission:	Diffused

DIMENSIONS

Glow Wire Test: 650°C

INCLUDED SOURCES

Category:	LED	Color temperature (K):	3000K
Number:	1		
Watt:	63W		
Type:	0		
Class:	A		

LUMINAIRE

Watt:	80W	Delivered lumens output (lm):	3440lm
		CCT:	3000K
		Efficiency:	60%
		Efficacy:	43lm/W
		CRI:	80
		Dimmable Typology:	Push