

Ipparco



IP20      

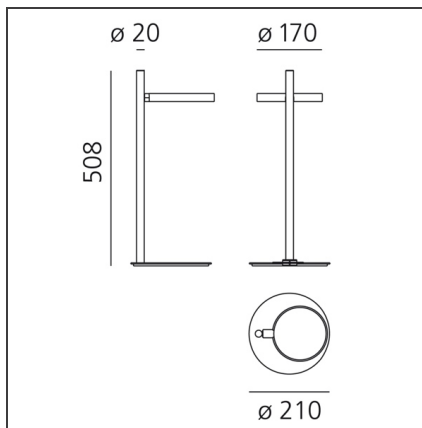
DESIGN BY

Neil Poulton

DESCRIPTION

Materials: head lamp in painted die-cast aluminium; diffuser in thermoplastic material; painted steel base and stem. Specification: the magnet joint enables the user to position the head-ring on any point of the structure and to adjust it up to 360° both on the vertical and the horizontal axis, allowing the maximum flexibility in directing the light.

TECHNICAL DRAWINGS



FEATURES

Article Code:	1607010A	Material:	Aluminium, methacrylate, steel
Colour:	Black	Series:	Design
Installation:	Table	Emission:	Adjustable

DIMENSIONS

Height:	cm 51	Impact Resistance:	N/D
Base Diameter:	cm 21	Glow Wire Test:	650

INCLUDED SOURCES

Category:	LED	Color temperature (K):	3000 K
Number:	1		
Watt:	7,8 W		
Delivered lumens output (lm):	453 lm		
Type:	0		
Class:	A		

LUMINAIRE

Watt:	8.5W	Delivered lumens output (lm):	454lm
		CCT:	3000K
		Efficiency:	100%
		Efficacy:	53.37lm/W
		CRI:	80