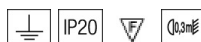
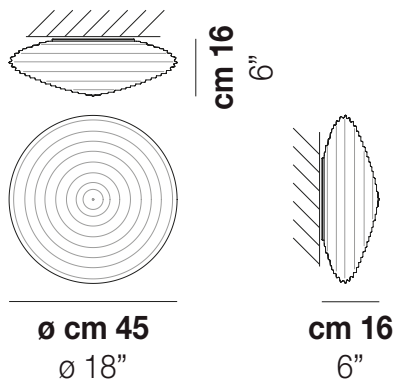


SPIRIT PL 45

TECHNICAL DATA:



CERTIFICATIONS:



LIGHT SOURCES

Light Source	Power	Voltage/Freq	Notes
E27	2x77w	220-240V 50/60 Hz	E27
LED G	1x19,5w	220-240V 50/60 Hz	LED 19,5W - (DRIVER INCLUDED) - 3000K - 2850 LUMENS - DIMMABLE
LED G	1x19,5w	220-240V 50/60 Hz	LED 19,5W - (DRIVER INCLUDED) - 3000K - 2850 LUMENS - DIMMABLE
LED J	1x10w	220-240V 50/60 Hz	LED 10W - 230 VOLT - 3000K - 1130 LUMENS - DIMMABLE
LED J	1x10w	220-240V 50/60 Hz	LED 10W - 230 VOLT - 3000K - 1130 LUMENS - DIMMABLE

VOLUME	Mc 0,07
GROSS WEIGHT	Kg 8
NET WEIGHT	Kg 5

download



SHADE FINISHING



BC/LU

CR/TR

FRAME FINISHING

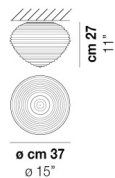


BC

NI

OTHER VERSION AVAILABLE

Click on the version to go to the web version of the product



SPIRIT PL 37